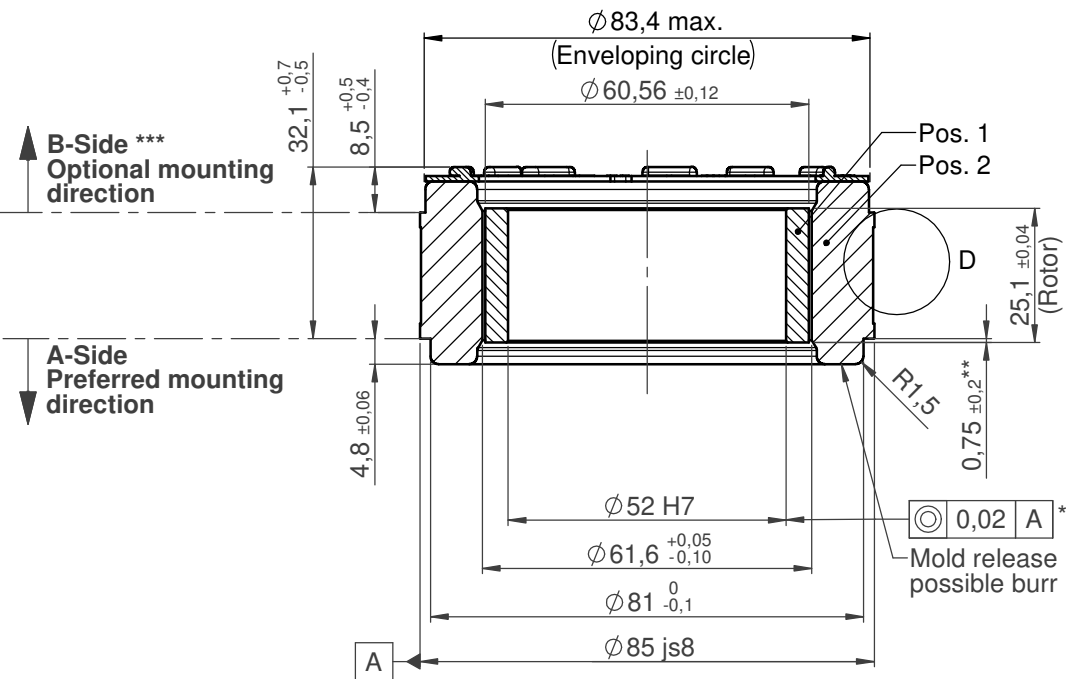


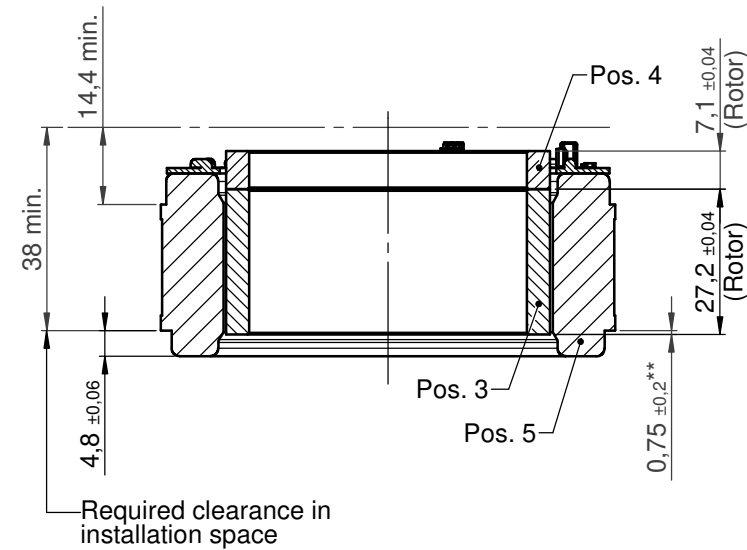
ILM85x23 SERVO KIT PCB  
ILM85x23 SERVO KIT PCB-T

Section A-A

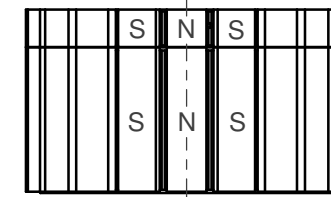


ILM85x23 SERVO KIT PCB-HD  
ILM85x23 SERVO KIT PCB-HD-T

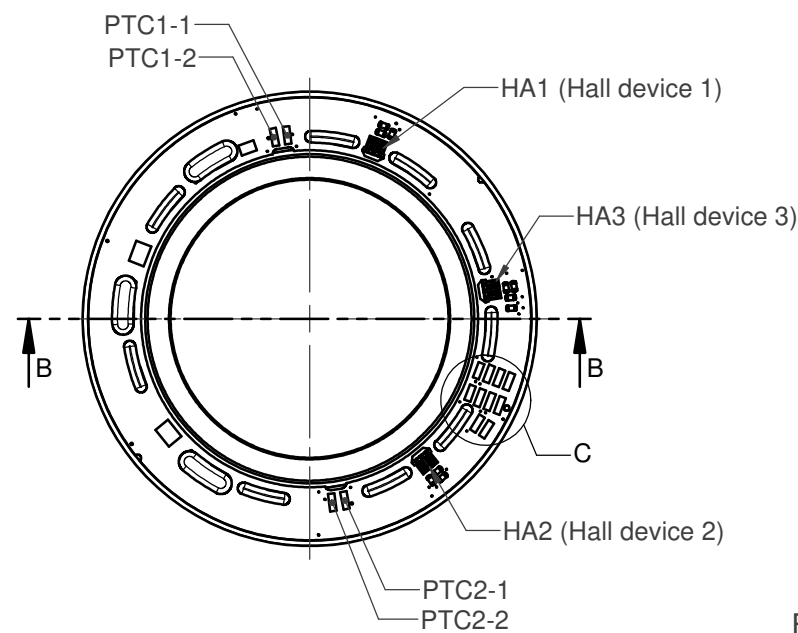
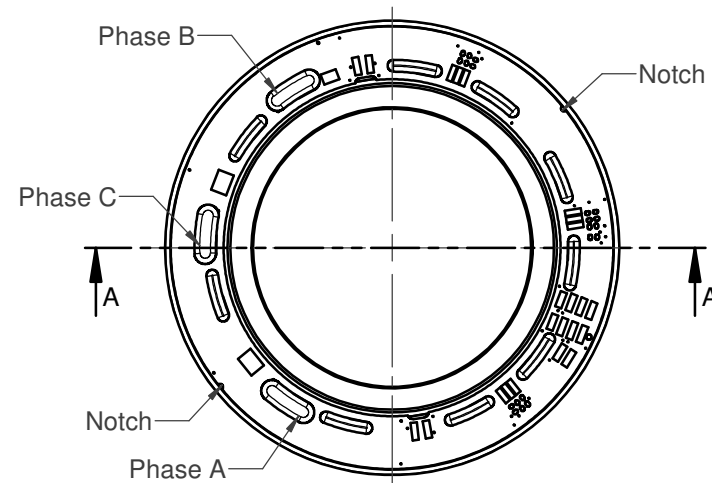
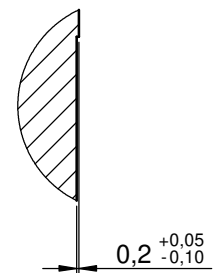
Section B-B



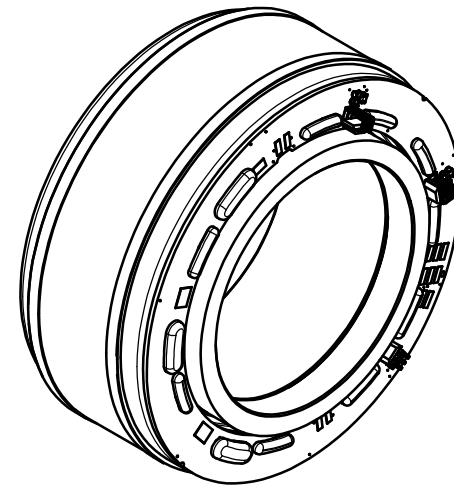
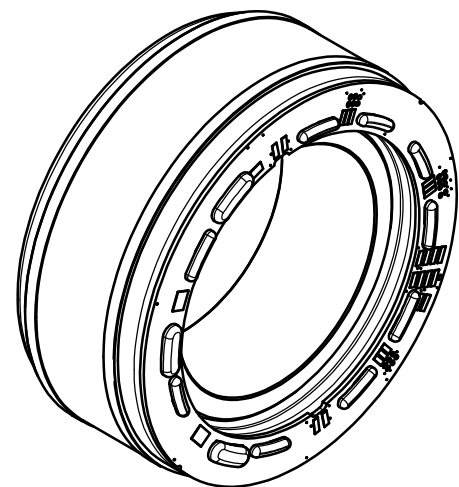
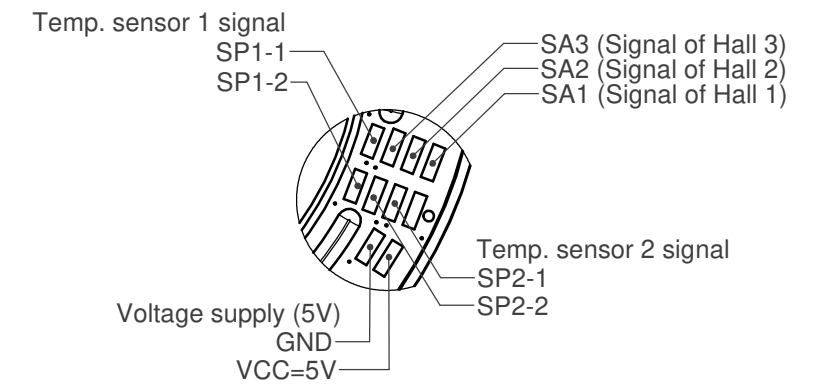
DETAIL D  
Scale 2 : 1



Rotor:  
pay attention to the location  
of the poles



DETAIL C  
Scale 2:1



For further technical information please refer to the datasheet  
DRVA\_DB-ILM-Kits\_ILM85x23\_Rev200

- \* In assembly
- \*\* Rotor position in relation to stator mounting edge
- \*\*\* B-Side mounting requires additional TQ design support

Housing and shaft design according to installation dimensions of motor housing and motor shaft.

Compliant to EU-RoHS and EU-REACH, latest edition.

ECR Number		ECR Name		ECR Description		Engineering code E-00108467.01	
	Prepared	09.01.2019	MeindlA	Date		Name	
	Checked	17.07.2019	Loos	Date		Name	
	Approved	22.10.2019	Schwelle	Date		Name	
ISO 8015 DIN ISO 2768 f H		Confidentiality level		Part name ILM85x23 SERVO KIT PCB Info		Material	
Mass	Volume	Scale	1:1	Format	A2	Number 318061.0100	Rev. Ind. Sheet 1/4

The reproduction, distribution and utilization of this document as well as the communication of its contents to others without express authorization is prohibited. Offenders will be held liable for the payment of damages. All rights reserved in the event of a patent, utility model or design.

**ILM85x23 SERVO KIT PCB (Interconnection Type)**

Identification	Position 1			Position 2		
	Order number	Order name	Amount	Order number	Order name	Amount
ILM85x23 SERVO KIT STD VSS	286841.0101	ILM85x23 Rotor	1	311567.0100	ILM85x23 Stator STD VSS	1
ILM85x23 SERVO KIT STD VSP	286841.0101	ILM85x23 Rotor	1	311569.0100	ILM85x23 Stator STD VSP	1
ILM85x23 SERVO KIT STD VDS	286841.0101	ILM85x23 Rotor	1	315545.0100	ILM85x23 Stator STD VDS	1
ILM85x23 SERVO KIT STD VDP	286841.0101	ILM85x23 Rotor	1	315551.0100	ILM85x23 Stator STD VDP	1
ILM85x23 SERVO KIT HS VSS	286841.0101	ILM85x23 Rotor	1	315525.0100	ILM85x23 Stator HS VSS	1
ILM85x23 SERVO KIT HS VSP	286841.0101	ILM85x23 Rotor	1	315527.0100	ILM85x23 Stator HS VSP	1
ILM85x23 SERVO KIT HS VDS	286841.0101	ILM85x23 Rotor	1	315529.0100	ILM85x23 Stator HS VDS	1
ILM85x23 SERVO KIT HS VDP	286841.0101	ILM85x23 Rotor	1	315531.0100	ILM85x23 Stator HS VDP	1

Product configuration code:

ILM85x23 SERVO KIT XXX YYY - HD - T

Lamination grade:

STD Standard  
HS High Speed

Interconnection:

VSS Star-Serial  
VSP Star-Parallel  
VDS Delta-Serial  
VDP Delta-Parallel

Feedback:

HD Hall Digital

Configuration:

T Temperature sensor

**ILM85x23 SERVO KIT PCB-T (Option: Temperature sensor)**

Identification	Position 1			Position 2		
	Order number	Order name	Amount	Order number	Order name	Amount
ILM85x23 SERVO KIT STD VSS-T	286841.0101	ILM85x23 Rotor	1	314442.0100	ILM85x23 Stator STD VSS-T	1
ILM85x23 SERVO KIT STD VSP-T	286841.0101	ILM85x23 Rotor	1	315567.0100	ILM85x23 Stator STD VSP-T	1
ILM85x23 SERVO KIT STD VDS-T	286841.0101	ILM85x23 Rotor	1	315568.0100	ILM85x23 Stator STD VDS-T	1
ILM85x23 SERVO KIT STD VDP-T	286841.0101	ILM85x23 Rotor	1	315569.0100	ILM85x23 Stator STD VDP-T	1
ILM85x23 SERVO KIT HS VSS-T	286841.0101	ILM85x23 Rotor	1	315560.0100	ILM85x23 Stator HS VSS-T	1
ILM85x23 SERVO KIT HS VSP-T	286841.0101	ILM85x23 Rotor	1	315562.0100	ILM85x23 Stator HS VSP-T	1
ILM85x23 SERVO KIT HS VDS-T	286841.0101	ILM85x23 Rotor	1	315564.0100	ILM85x23 Stator HS VDS-T	1
ILM85x23 SERVO KIT HS VDP-T	286841.0101	ILM85x23 Rotor	1	315566.0100	ILM85x23 Stator HS VDP-T	1


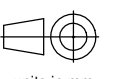
**ILM85x23 SERVO KIT PCB-HD (Option: Hall Digital commutation)**

Identification	Position 3			Position 4			Position 5		
	Order number	Order name	Amount	Order number	Order name	Amount	Order number	Order name	Amount
ILM85x23 SERVO KIT STD VSS-HD	230576.0100	ILM85x26 Rotor	1	286843.0100	ILM85x04 Rotor	1	315532.0100	ILM85x23 Stator STD VSS-HD	1
ILM85x23 SERVO KIT STD VSP-HD	230576.0100	ILM85x26 Rotor	1	286843.0100	ILM85x04 Rotor	1	315538.0100	ILM85x23 Stator STD VSP-HD	1
ILM85x23 SERVO KIT STD VDS-HD	230576.0100	ILM85x26 Rotor	1	286843.0100	ILM85x04 Rotor	1	315546.0100	ILM85x23 Stator STD VDS-HD	1
ILM85x23 SERVO KIT STD VDP-HD	230576.0100	ILM85x26 Rotor	1	286843.0100	ILM85x04 Rotor	1	315552.0100	ILM85x23 Stator STD VDP-HD	1
ILM85x23 SERVO KIT HS VSS-HD	230576.0100	ILM85x26 Rotor	1	286843.0100	ILM85x04 Rotor	1	315526.0100	ILM85x23 Stator HS VSS-HD	1
ILM85x23 SERVO KIT HS VSP-HD	230576.0100	ILM85x26 Rotor	1	286843.0100	ILM85x04 Rotor	1	315528.0100	ILM85x23 Stator HS VSP-HD	1
ILM85x23 SERVO KIT HS VDS-HD	230576.0100	ILM85x26 Rotor	1	286843.0100	ILM85x04 Rotor	1	315530.0100	ILM85x23 Stator HS VDS-HD	1
ILM85x23 SERVO KIT HS VDP-HD	230576.0100	ILM85x26 Rotor	1	286843.0100	ILM85x04 Rotor	1	315533.0100	ILM85x23 Stator HS VDP-HD	1

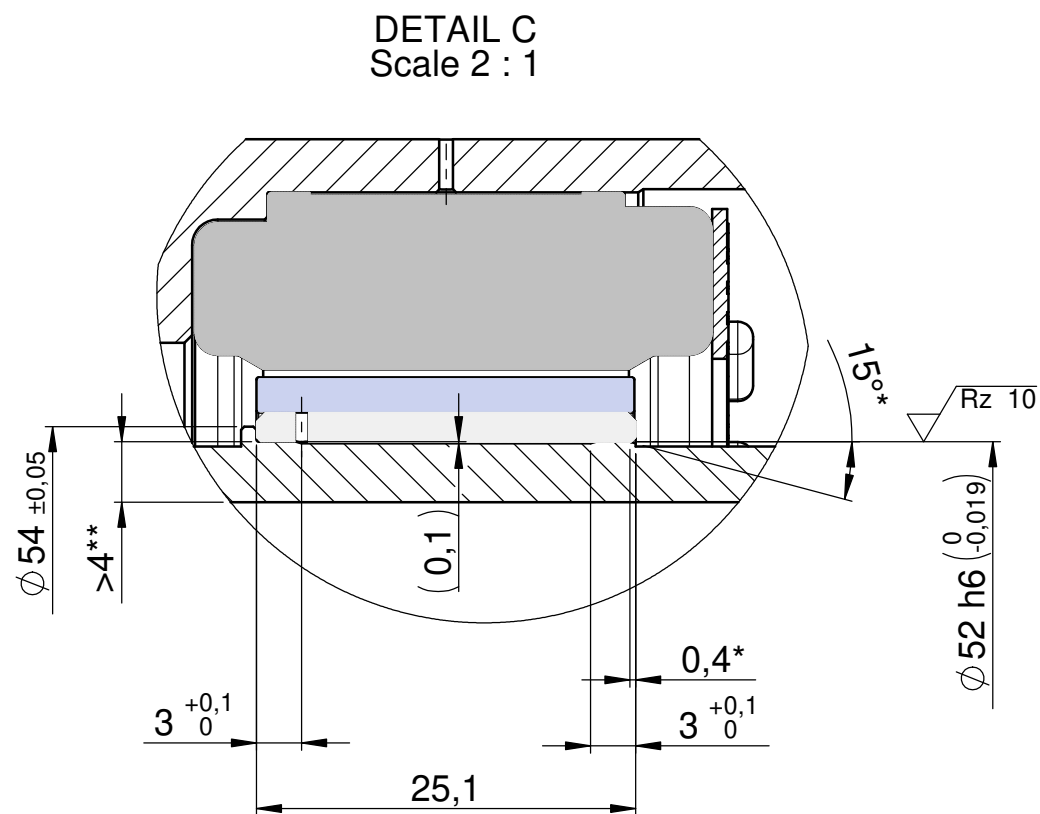
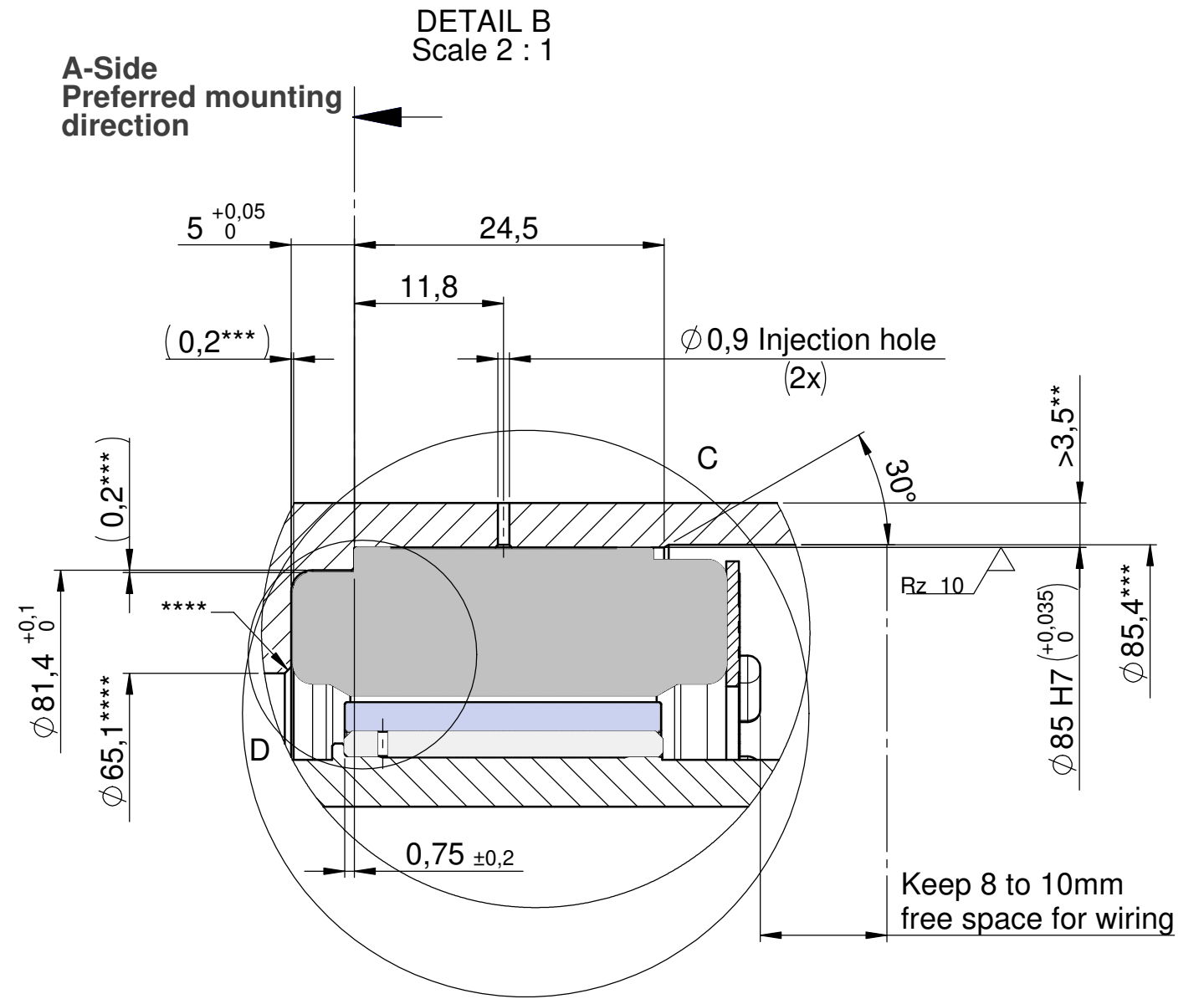
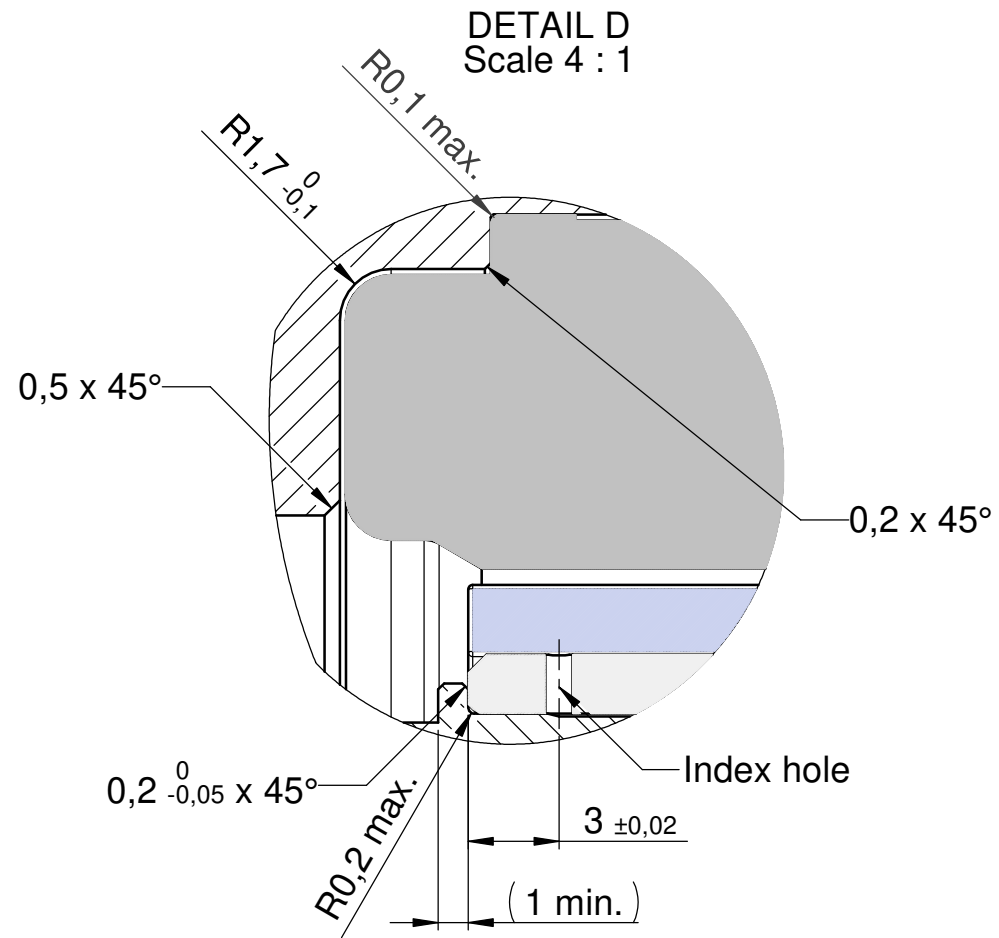
**ILM85x23 SERVO KIT PCB-HD-T (Option: Hall Digital commutation + Temperature sensor)**

Identification	Position 3			Position 4			Position 5		
	Order number	Order name	Amount	Order number	Order name	Amount	Order number	Order name	Amount
ILM85x23 SERVO KIT STD VSS-HD-T	230576.0100	ILM85x26 Rotor	1	286843.0100	ILM85x04 Rotor	1	315553.0100	ILM85x23 Stator STD VSS-HD-T	1
ILM85x23 SERVO KIT STD VSP-HD-T	230576.0100	ILM85x26 Rotor	1	286843.0100	ILM85x04 Rotor	1	315555.0100	ILM85x23 Stator STD VSP-HD-T	1
ILM85x23 SERVO KIT STD VDS-HD-T	230576.0100	ILM85x26 Rotor	1	286843.0100	ILM85x04 Rotor	1	315558.0100	ILM85x23 Stator STD VDS-HD-T	1
ILM85x23 SERVO KIT STD VDP-HD-T	230576.0100	ILM85x26 Rotor	1	286843.0100	ILM85x04 Rotor	1	315559.0100	ILM85x23 Stator STD VDP-HD-T	1
ILM85x23 SERVO KIT HS VSS-HD-T	230576.0100	ILM85x26 Rotor	1	286843.0100	ILM85x04 Rotor	1	315534.0100	ILM85x23 Stator HS VSS-HD-T	1
ILM85x23 SERVO KIT HS VSP-HD-T	230576.0100	ILM85x26 Rotor	1	286843.0100	ILM85x04 Rotor	1	315535.0100	ILM85x23 Stator HS VSP-HD-T	1
ILM85x23 SERVO KIT HS VDS-HD-T	230576.0100	ILM85x26 Rotor	1	286843.0100	ILM85x04 Rotor	1	315536.0100	ILM85x23 Stator HS VDS-HD-T	1
ILM85x23 SERVO KIT HS VDP-HD-T	230576.0100	ILM85x26 Rotor	1	286843.0100	ILM85x04 Rotor	1	315537.0100	ILM85x23 Stator HS VDP-HD-T	1

Compliant to EU-RoHS and EU-REACH, latest edition.

ECR Number		ECR Name		ECR Description		Engineering code E-00108467.01		
		Date	Name	Material				
		Prepared	09.01.2019	MeindlA				
		Checked	17.07.2019	Loos	Part name ILM85x23 SERVO KIT PCB Info			
 ISO 8015 units in mm		Approved	22.10.2019	Schwelle	Confidentially level			
Mass	Volume	Scale	1:1	Format	A3	Number	318061.0100	
						Rev.	Ind. Sheet	
							2/4	

The reproduction, distribution and utilization of this document as well as the communication of its contents to others without express authorization is prohibited. Offenders will be held liable for the payment of damages. All rights reserved in the event of a patent, utility model or design.




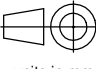
- \* Recommended slip bevel
- \*\* Recommended wall thickness
- \*\*\* Suggested dimension for air and creeping distances (<50V) UL and NRTL certification
- \*\*\*\* Proposal to simplify cleaning after gluing

$Rz 16$  (✓)

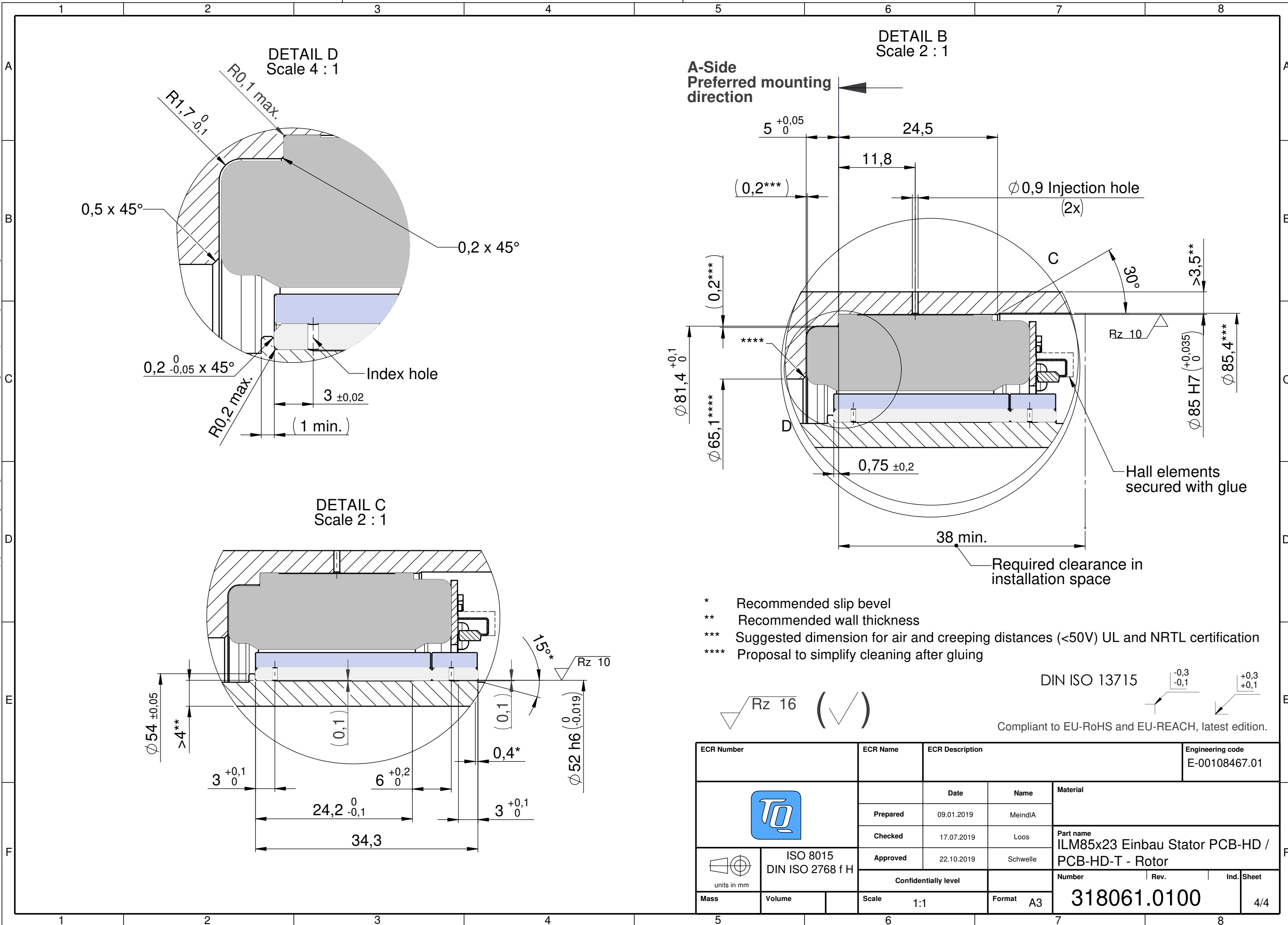
DIN ISO 13715

$\begin{smallmatrix} -0,3 \\ -0,1 \end{smallmatrix}$   $\begin{smallmatrix} +0,3 \\ +0,1 \end{smallmatrix}$

Compliant to EU-RoHS and EU-REACH, latest edition.

ECR Number		ECR Name		ECR Description		Engineering code E-00108467.01	
		Date		Name		Material	
		Prepared		Checked		Part name	
		09.01.2019		17.07.2019		ILM85x23 Einbau Stator PCB / PCB-T - Rotor	
		ISO 8015 DIN ISO 2768 f H		Approved		Schwelle	
Mass		Volume		Scale		Number	
				1:1		Rev.	
				Format		Ind. Sheet	
				A3		318061.0100	
						3/4	

The reproduction, distribution and utilization of this document as well as the communication of its contents to others without express authorization is prohibited. Offenders will be held liable for the payment of damages. All rights reserved in the event of a patent, utility model or design.



**A-Side Preferred mounting direction**

- \* Recommended slip bevel
- \*\* Recommended wall thickness
- \*\*\* Suggested dimension for air and creeping distances (<50V) UL and NRTL certification
- \*\*\*\* Proposal to simplify cleaning after gluing

DIN ISO 13715  $\begin{matrix} -0,3 \\ -0,1 \end{matrix}$   $\begin{matrix} +0,3 \\ +0,1 \end{matrix}$

Compliant to EU-RoHS and EU-REACH, latest edition.

ECR Number		ECR Name		ECR Description		Engineering code E-00108467.01	
	Date		Name		Material		Part name ILM85x23 Einbau Stator PCB-HD / PCB-HD-T - Rotor
	Prepared		Loos				
	Checked		Schwelle				
Approved		22.10.2019					
Confidentially level				Number		Rev.	
Scale		1:1		Format		Ind. Sheet	
Mass		Volume		A3		318061.0100	
						4/4	