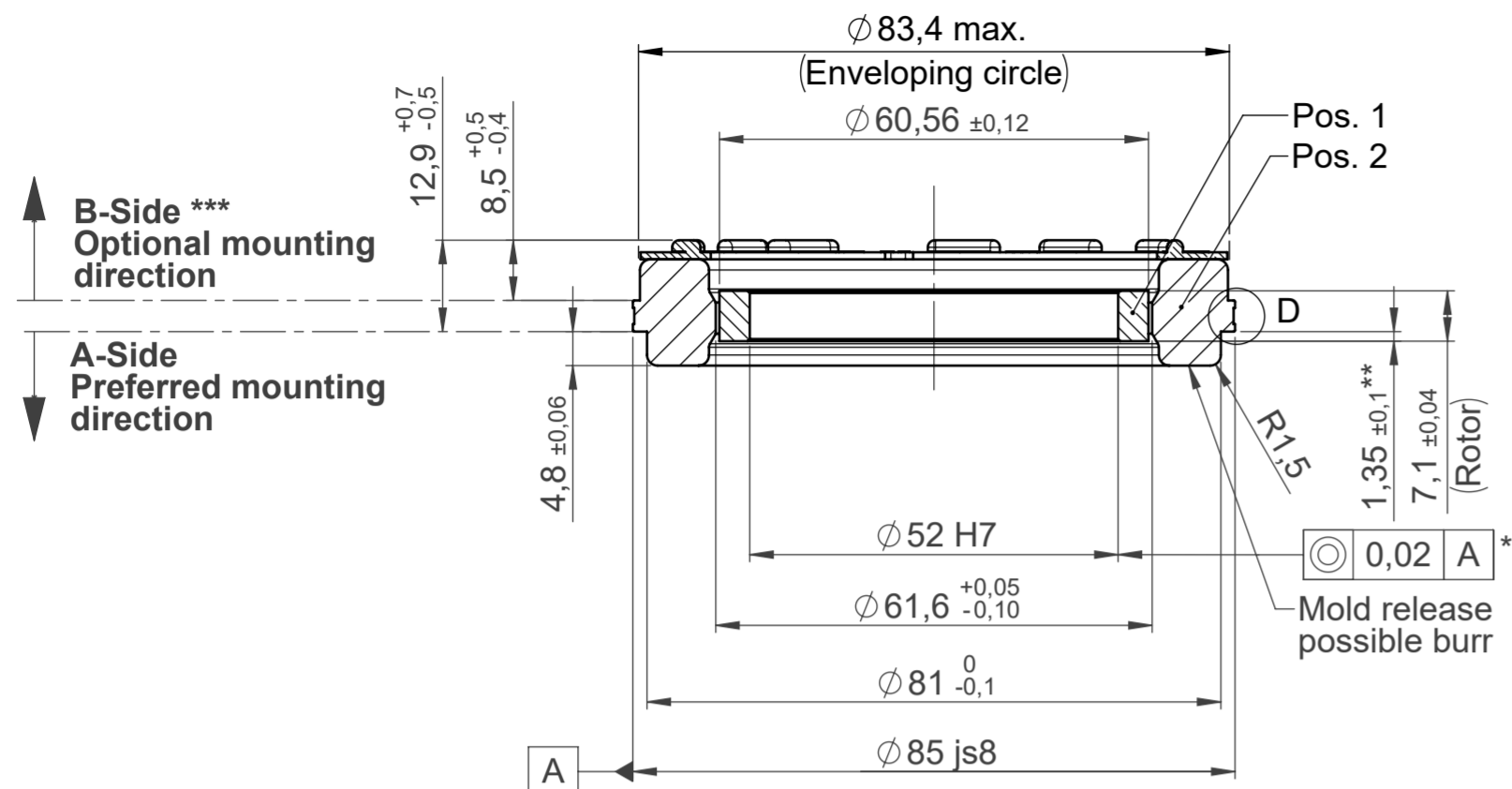


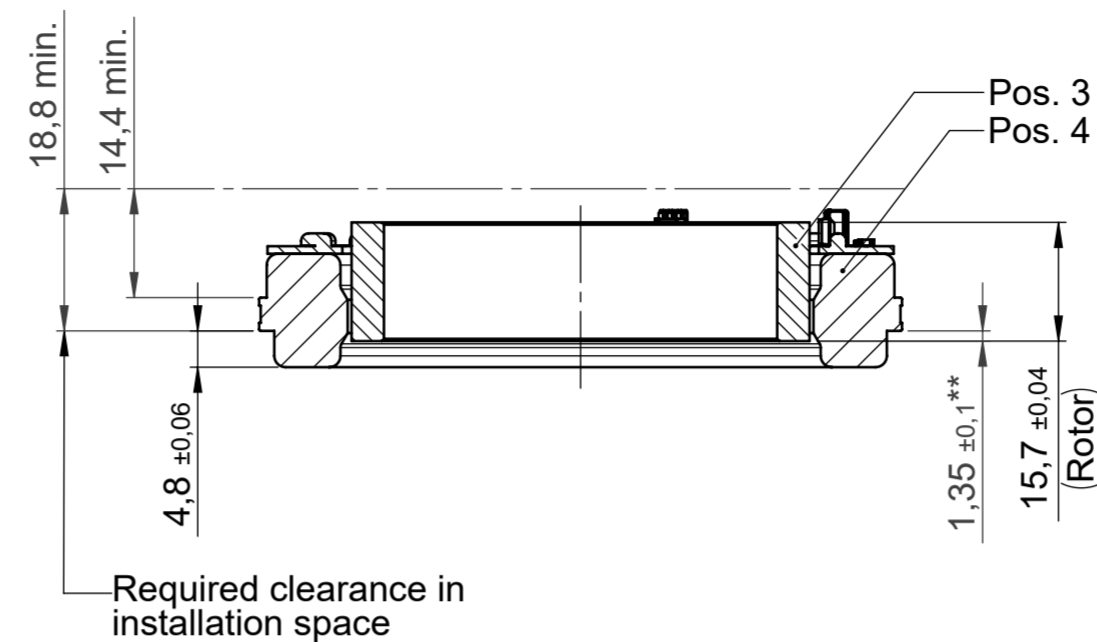
**ILM85x04 SERVO KIT PCB
ILM85x04 SERVO KIT PCB-T**

Section A-A

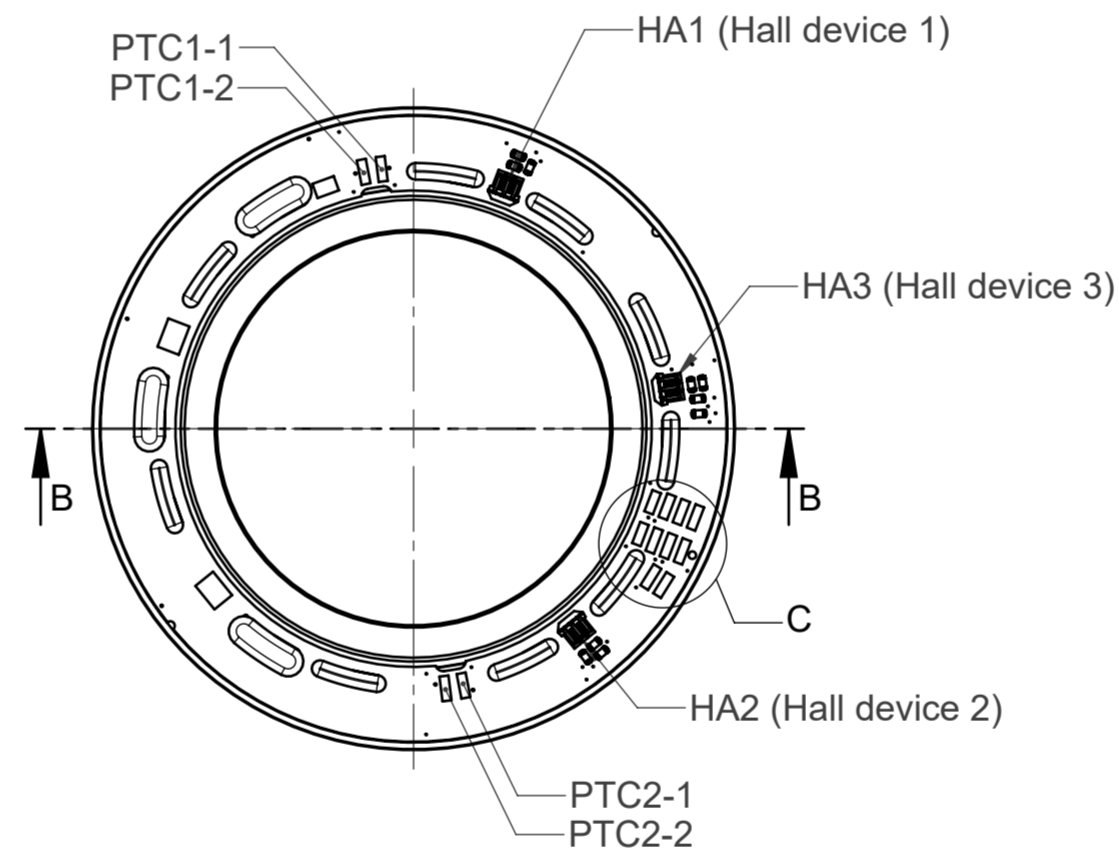
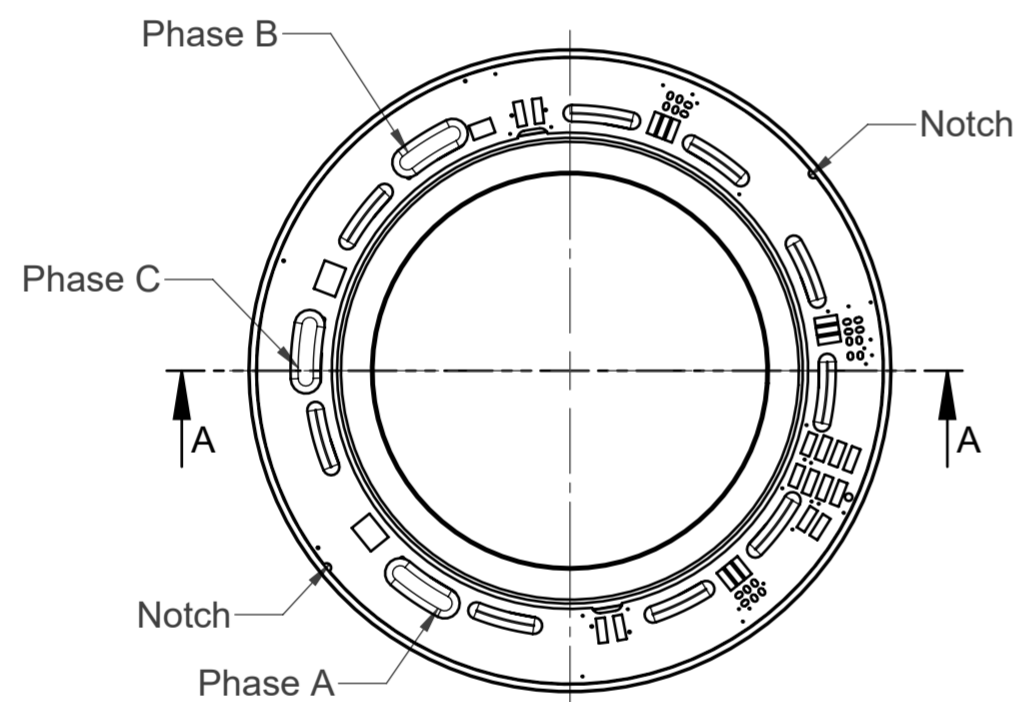
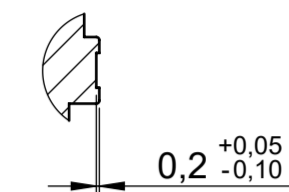


**ILM85x04 SERVO KIT PCB-HD
ILM85x04 SERVO KIT PCB-HD-T**

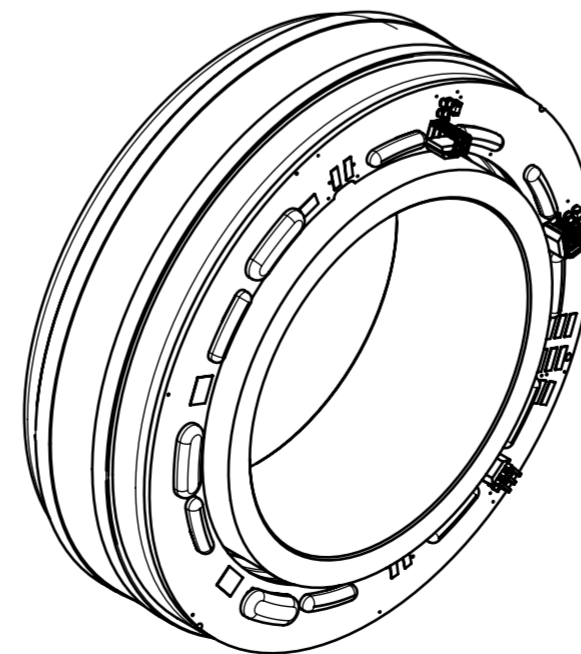
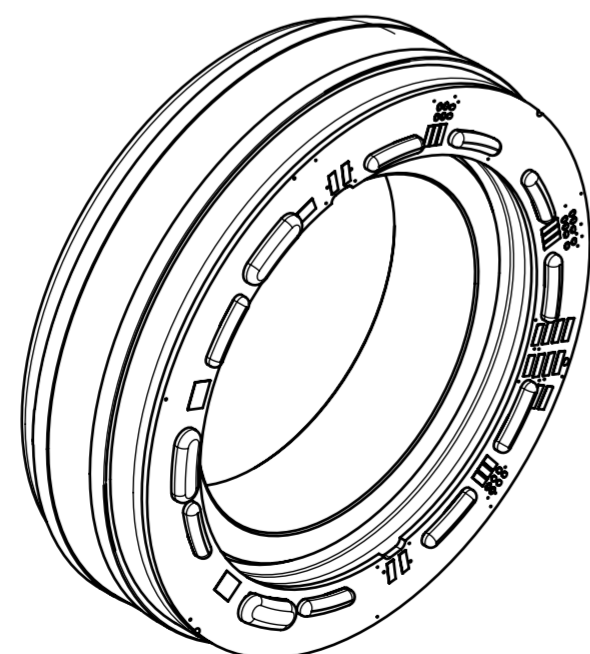
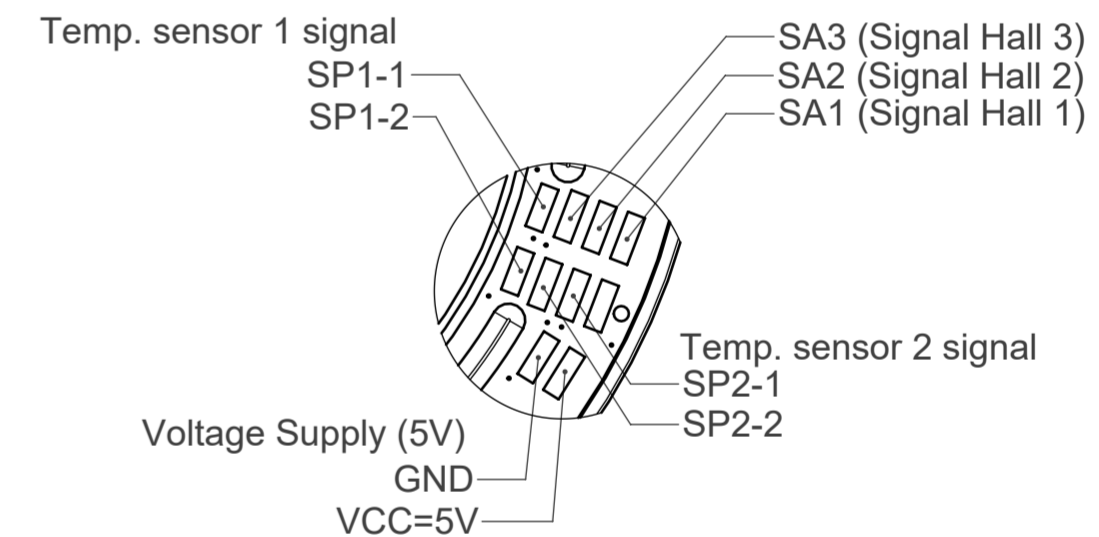
Section B-B



DETAIL D
Scale 2 : 1



DETAIL C
Scale 2:1



For further technical information please refer to the datasheet
DRVA_DB-ILM-Kits_ILM85x04_Rev200

- * In assembly
- ** Rotor position in relation to stator mounting edge
- *** B-Side mounting requires additional TQ design support

Housing and shaft design according to installation dimensions of motor housing and motor shaft.

Compliant to EU-RoHS and EU-REACH, latest edition.

ECR Number		ECR Name		ECR Description		Engineering code E-00113984.01	
	Prepared	15.02.2019	MeindIA	Date		Name	
	Checked	29.10.2019	Loos	Date		Name	
	Approved	27.03.2020	Schwelle	Date		Name	
ISO 8015 DIN ISO 2768 f H		Confidentiality level		Part name ILM85x04 SERVO KIT PCB Info		Material	
units in mm	Mass	Volume	Scale	1:1	Format	A2	Number 317929.0100
						Rev.	
						Ind. Sheet 1/4	

The reproduction, distribution and utilization of this document as well as the communication of its contents to others without express authorization is prohibited. Offenders will be held liable for the payment of damages. All rights reserved in the event of the grant of a patent, utility model or design.

ILM85x04 SERVO KIT PCB (Interconnection Type)

Identification	Position 1			Position 2		
	Order number	Order name	Amount	Order number	Order name	Amount
ILM85x04 SERVO KIT STD VSS	286843.0101	ILM85x04 Rotor	1	311524.0100	ILM85x04 Stator STD VSS	1
ILM85x04 SERVO KIT STD VSP	286843.0101	ILM85x04 Rotor	1	311522.0100	ILM85x04 Stator STD VSP	1
ILM85x04 SERVO KIT STD VDS	286843.0101	ILM85x04 Rotor	1	315399.0100	ILM85x04 Stator STD VDS	1
ILM85x04 SERVO KIT STD VDP	286843.0101	ILM85x04 Rotor	1	315404.0100	ILM85x04 Stator STD VDP	1
ILM85x04 SERVO KIT HS VSS	286843.0101	ILM85x04 Rotor	1	315375.0100	ILM85x04 Stator HS VSS	1
ILM85x04 SERVO KIT HS VSP	286843.0101	ILM85x04 Rotor	1	315378.0100	ILM85x04 Stator HS VSP	1
ILM85x04 SERVO KIT HS VDS	286843.0101	ILM85x04 Rotor	1	315380.0100	ILM85x04 Stator HS VDS	1
ILM85x40 SERVO KIT HS VDP	286843.0101	ILM85x04 Rotor	1	315384.0100	ILM85x04 Stator HS VDP	1

ILM85x04 SERVO KIT PCB-T (Option: Temperature sensor)

Identification	Position 1			Position 2		
	Order number	Order name	Amount	Order number	Order name	Amount
ILM85x04 SERVO KIT STD VSS-T	286843.0101	ILM85x04 Rotor	1	315425.0100	ILM85x04 Stator STD VSS-T	1
ILM85x04 SERVO KIT STD VSP-T	286843.0101	ILM85x04 Rotor	1	315427.0100	ILM85x04 Stator STD VSP-T	1
ILM85x04 SERVO KIT STD VDS-T	286843.0101	ILM85x04 Rotor	1	315428.0100	ILM85x04 Stator STD VDS-T	1
ILM85x04 SERVO KIT STD VDP-T	286843.0101	ILM85x04 Rotor	1	315429.0100	ILM85x04 Stator STD VDP-T	1
ILM85x04 SERVO KIT HS VSS-T	286843.0101	ILM85x04 Rotor	1	315420.0100	ILM85x04 Stator HS VSS-T	1
ILM85x04 SERVO KIT HS VSP-T	286843.0101	ILM85x04 Rotor	1	315421.0100	ILM85x04 Stator HS VSP-T	1
ILM85x04 SERVO KIT HS VDS-T	286843.0101	ILM85x04 Rotor	1	315423.0100	ILM85x04 Stator HS VDS-T	1
ILM85x04 SERVO KIT HS VDP-T	286843.0101	ILM85x04 Rotor	1	315424.0100	ILM85x04 Stator HS VDP-T	1

ILM85x04 SERVO KIT PCB-HD (Option: Hall Digital commutation)

Identification	Position 3			Position 4		
	Order number	Order name	Amount	Order number	Order name	Amount
ILM85x04 SERVO KIT STD VSS-HD	176074.0100	ILM85x13 Rotor	1	315382.0100	ILM85x04 Stator STD VSS-HD	1
ILM85x04 SERVO KIT STD VSP-HD	176074.0100	ILM85x13 Rotor	1	315398.0100	ILM85x04 Stator STD VSP-HD	1
ILM85x04 SERVO KIT STD VDS-HD	176074.0100	ILM85x13 Rotor	1	315403.0100	ILM85x04 Stator STD VDS-HD	1
ILM85x04 SERVO KIT STD VDP-HD	176074.0100	ILM85x13 Rotor	1	315405.0100	ILM85x04 Stator STD VDP-HD	1
ILM85x04 SERVO KIT HS VSS-HD	176074.0100	ILM85x13 Rotor	1	315376.0100	ILM85x04 Stator HS VSS-HD	1
ILM85x04 SERVO KIT HS VSP-HD	176074.0100	ILM85x13 Rotor	1	315379.0100	ILM85x04 Stator HS VSP-HD	1
ILM85x04 SERVO KIT HS VDS-HD	176074.0100	ILM85x13 Rotor	1	315383.0100	ILM85x04 Stator HS VDS-HD	1
ILM85x04 SERVO KIT HS VDP-HD	176074.0100	ILM85x13 Rotor	1	315387.0100	ILM85x04 Stator HS VDP-HD	1

ILM85x04 SERVO KIT PCB-HD-T (Option: Hall Digital commutation + Temperature sensor)

Identification	Position 3			Position 4		
	Order number	Order name	Amount	Order number	Order name	Amount
ILM83x04 SERVO KIT STD VSS-HD-T	176074.0100	ILM85x13 Rotor	1	315406.0100	ILM85x04 Stator STD VSS-HD-T	1
ILM85x04 SERVO KIT STD VSP-HD-T	176074.0100	ILM85x13 Rotor	1	315410.0100	ILM85x04 Stator STD VSP-HD-T	1
ILM85x04 SERVO KIT STD VDS-HD-T	176074.0100	ILM85x13 Rotor	1	315413.0100	ILM85x04 Stator STD VDS-HD-T	1
ILM85x04 SERVO KIT STD VDP-HD-T	176074.0100	ILM85x13 Rotor	1	315418.0100	ILM85x04 Stator STD VDP-HD-T	1
ILM85x04 SERVO KIT HS VSS-HD-T	176074.0100	ILM85x13 Rotor	1	315389.0100	ILM85x04 Stator HS VSS-HD-T	1
ILM85x04 SERVO KIT HS VSP-HD-T	176074.0100	ILM85x13 Rotor	1	315390.0100	ILM85x04 Stator HS VSP-HD-T	1
ILM85x04 SERVO KIT HS VDS-HD-T	176074.0100	ILM85x13 Rotor	1	315394.0100	ILM85x04 Stator HS VDS-HD-T	1
ILM85x04 SERVO KIT HS VDP-HD-T	176074.0100	ILM85x13 Rotor	1	315395.0100	ILM85x04 Stator HS VDP-HD-T	1

Product configuration code:

ILM85x04 SERVO KIT XXX YYY - HD - T

Lamination grade:

STD Standard
HS High Speed

Interconnection:

VSS Star-Serial
VSP Star-Parallel
VDS Delta-Serial
VDP Delta-Parallel



Feedback:

HD Hall Digital

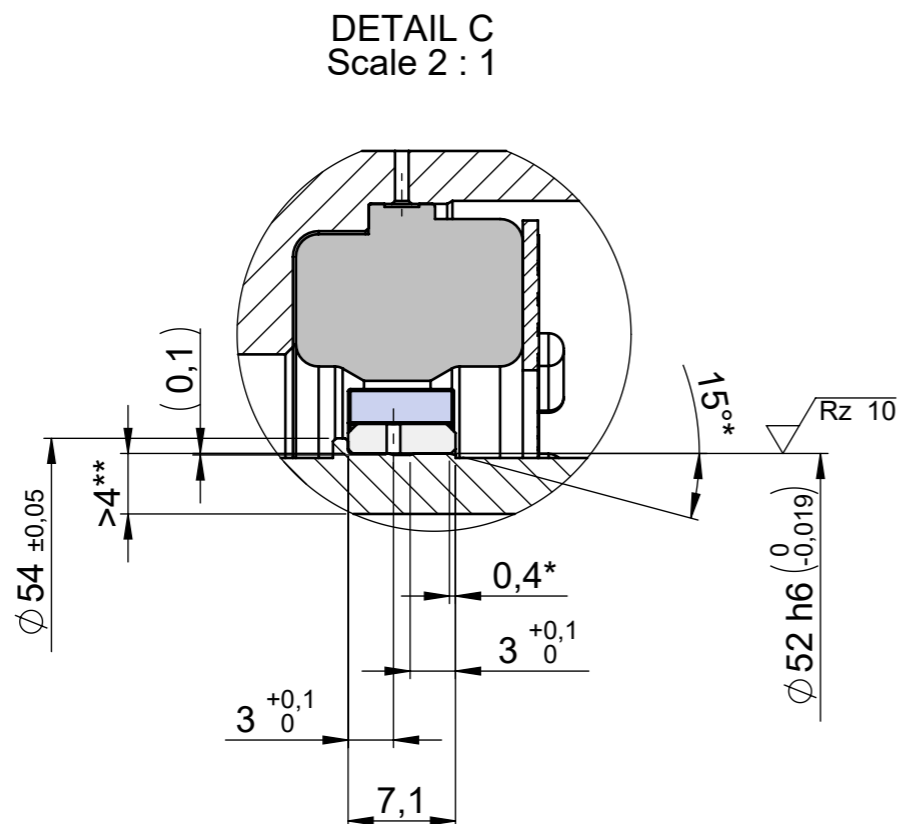
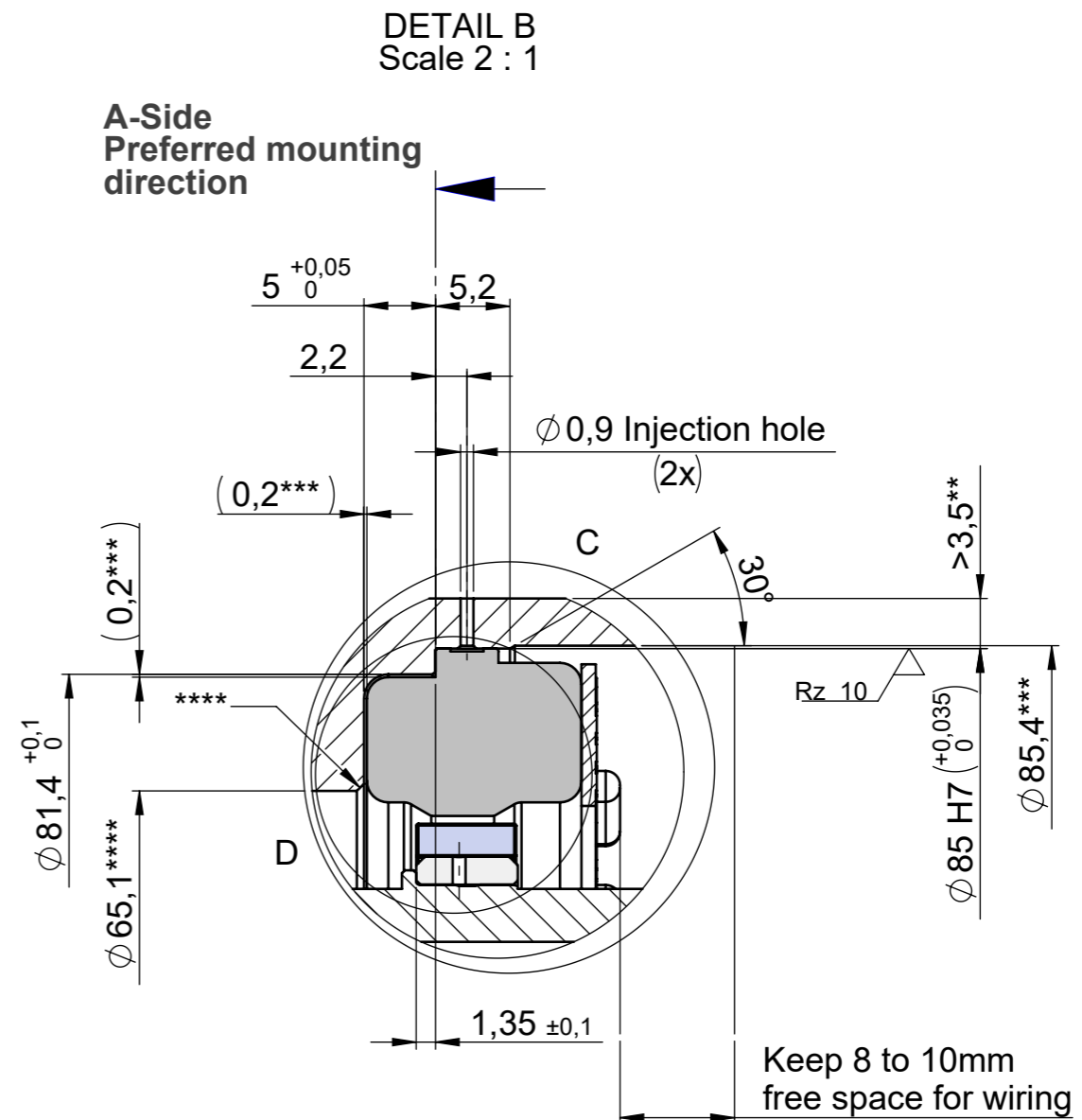
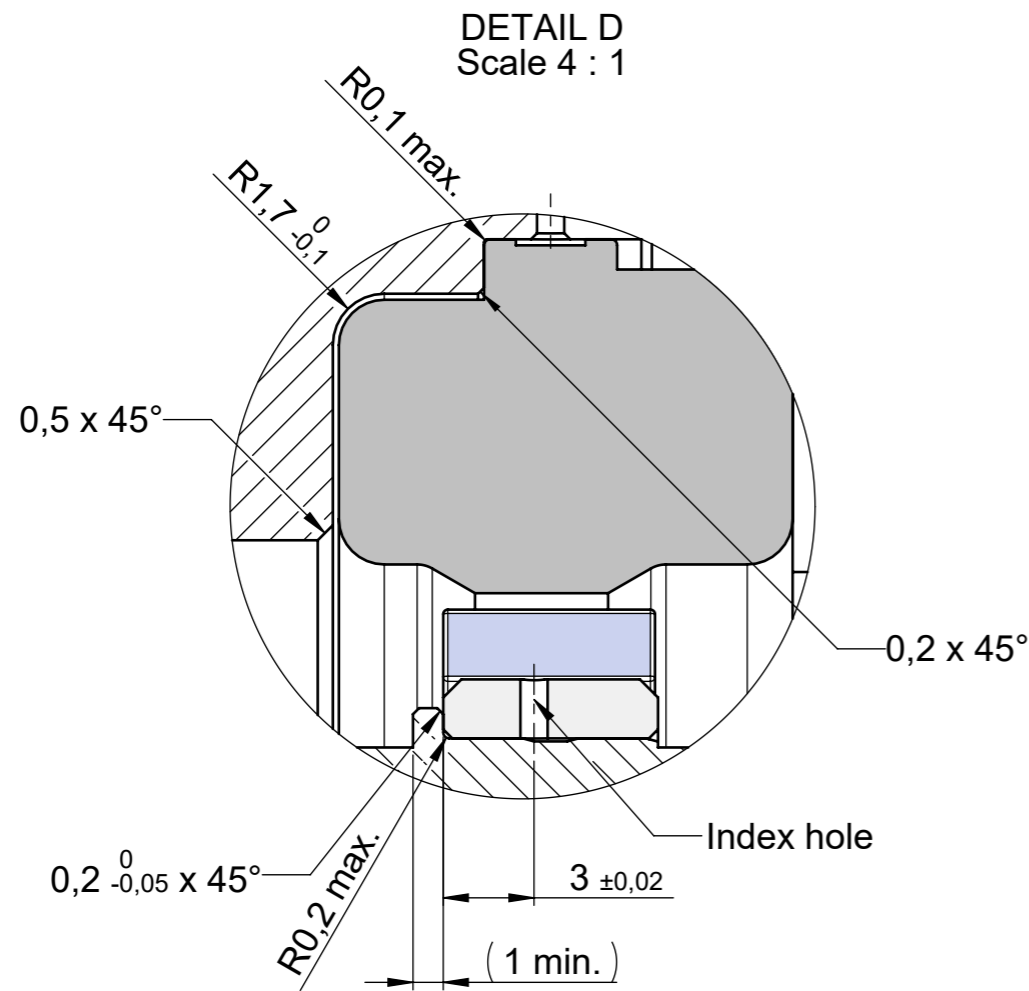
Configuration:

T Temperature sensor

Compliant to EU-RoHS and EU-REACH, latest edition.

ECR Number		ECR Name		ECR Description		Engineering code E-00113984.01				
		Date	Name	Material						
		Prepared	15.02.2019	MeindIA						
		Checked	29.10.2019	Loos	Part name ILM85x04 SERVO KIT PCB Info					
 ISO 8015		Approved	27.03.2020	Schwelle	Number			Rev.	Ind.	Sheet
Mass	Volume	Confidentially level		Scale 1:1		Format A3		317929.0100		2/4

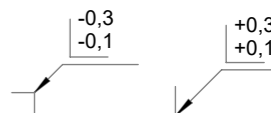
The reproduction, distribution and utilization of this document as well as the communication of its contents to others without express authorization is prohibited. Offenders will be held liable for the payment of damages. All rights reserved in the event of the grant of a patent, utility model or design.



- * Recommended slip bevel
- ** Recommended wall thickness
- *** Suggested dimension for air and creeping distances (<50V) UL and NRTL certification
- **** Proposal to simplify cleaning after gluing

Rz 16 (✓)

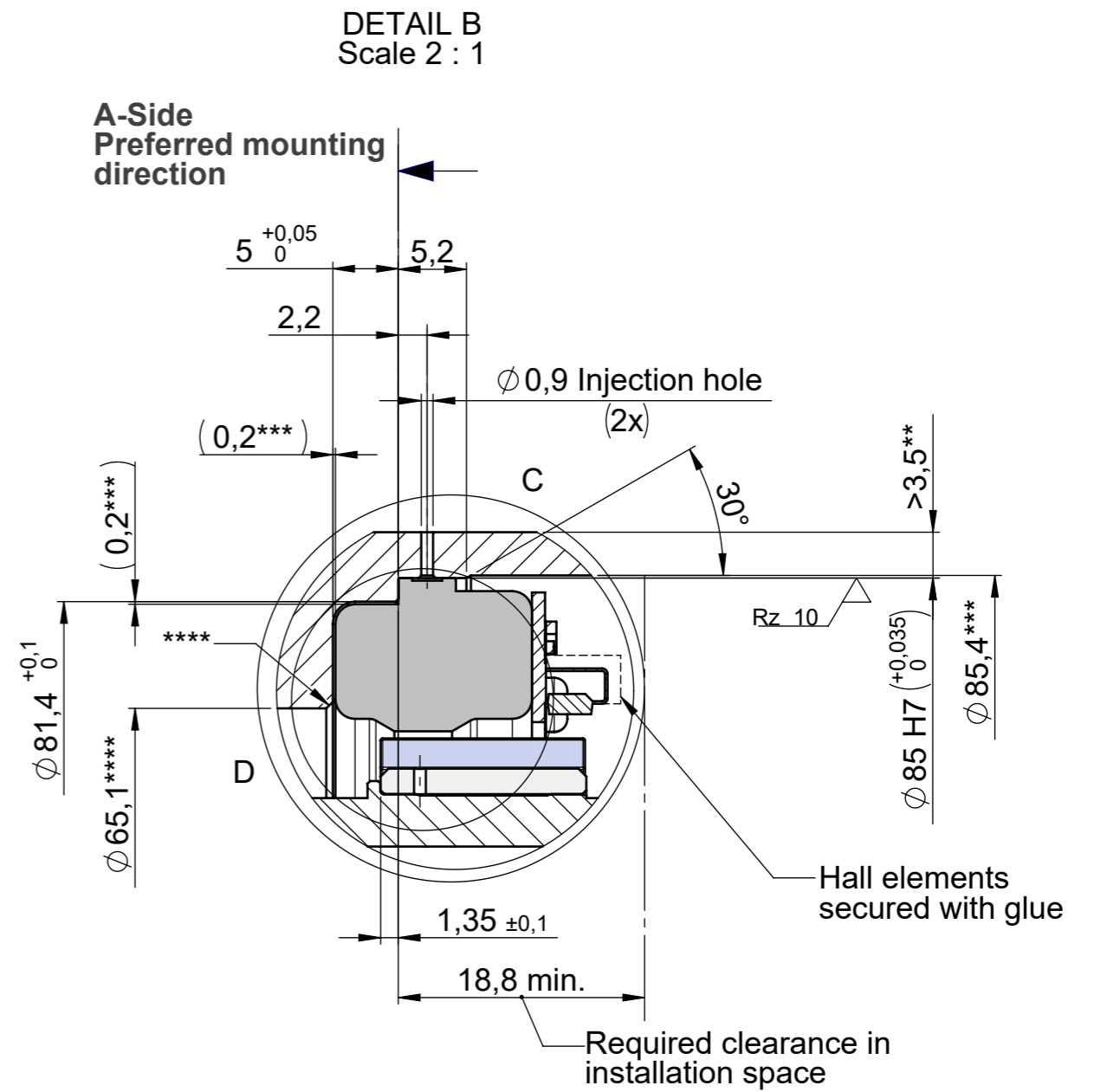
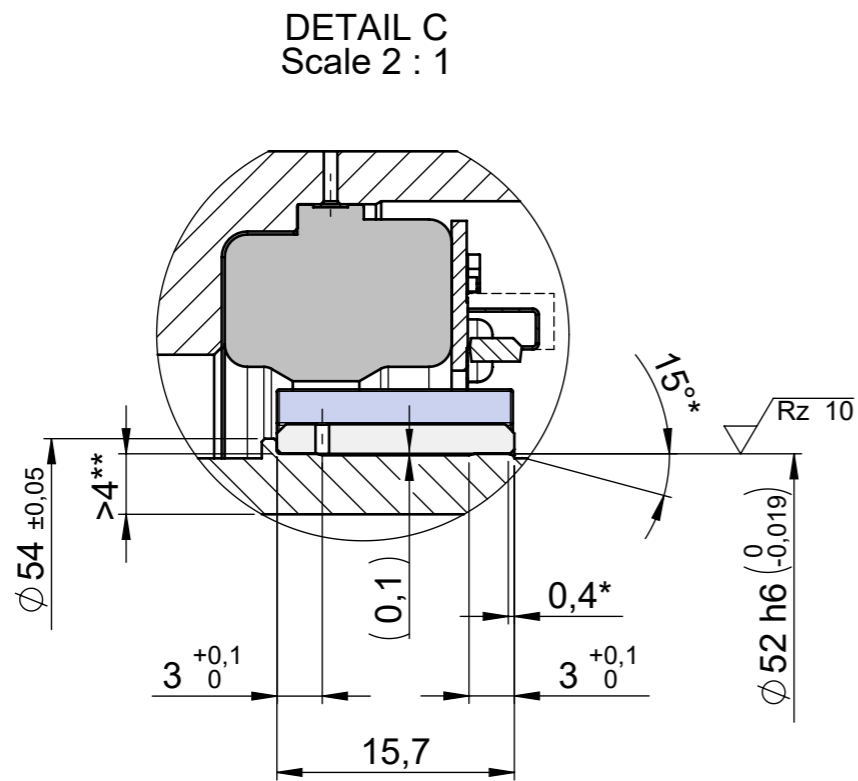
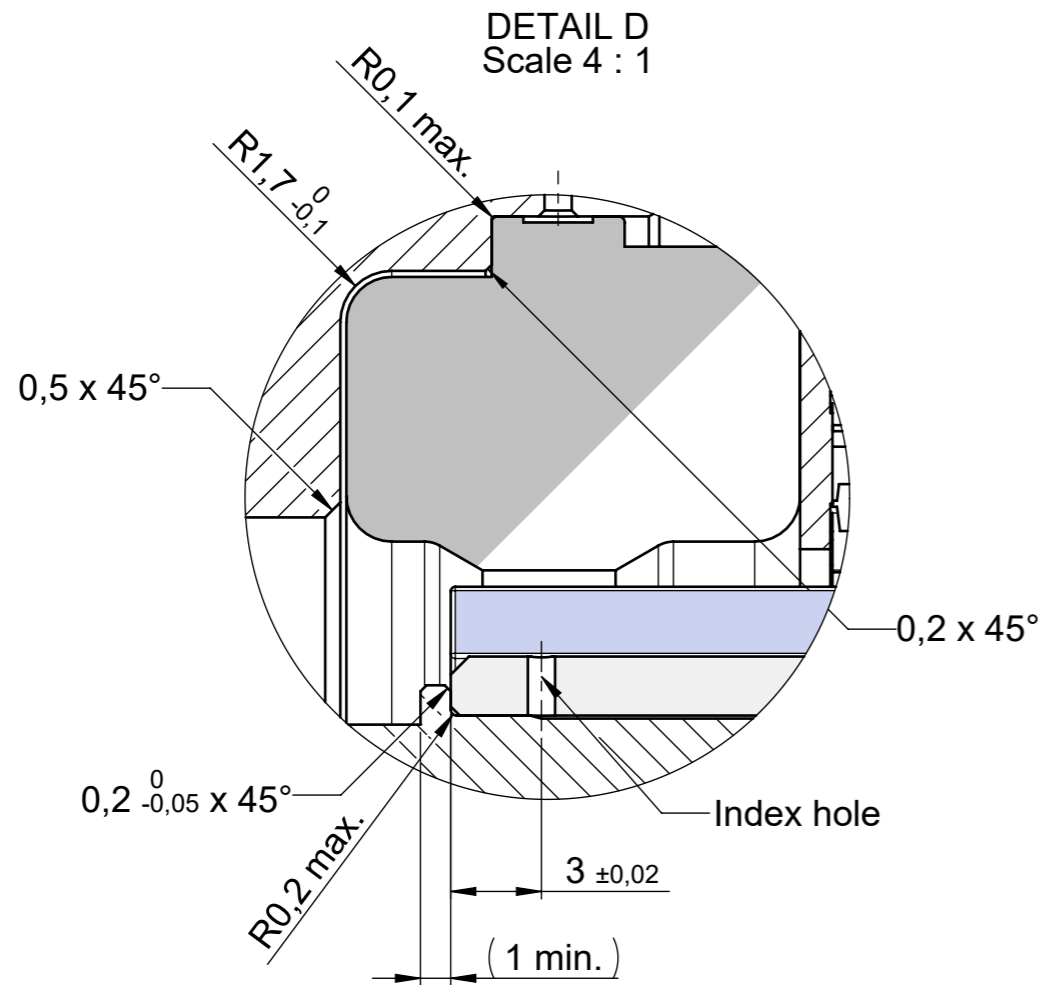
DIN ISO 13715



Compliant to EU-RoHS and EU-REACH, latest edition.

ECR Number		ECR Name		ECR Description		Engineering code E-00113984.01			
		Date	Name	Material					
		Prepared	15.02.2019	MeindlA					
		Checked	29.10.2019	Loos	Part name ILM85x04 Einbau Stator PCB / PCB-T - Rotor				
units in mm ISO 8015 DIN ISO 2768 f H		Approved	27.03.2020	Schwelle	Number			Rev.	Ind. Sheet
		Confidentially level				317929.0100			3/4
Mass	Volume	Scale 1:1		Format A3					

The reproduction, distribution and utilization of this document as well as the communication of its contents to others without express authorization is prohibited. Offenders will be held liable for the payment of damages. All rights reserved in the event of the grant of a patent, utility model or design.



- * Recommended slip bevel
- ** Recommended wall thickness
- *** Suggested dimension for air and creeping distances (<50V) UL and NRTL certification
- **** Proposal to simplify cleaning after gluing



DIN ISO 13715 $\begin{matrix} -0,3 \\ -0,1 \end{matrix}$ $\begin{matrix} +0,3 \\ +0,1 \end{matrix}$

Compliant to EU-RoHS and EU-REACH, latest edition.

ECR Number		ECR Name		ECR Description		Engineering code E-00113984.01	
	Date		Name		Material		
	Prepared		MeindlA				
	Checked		Loos		Part name ILM85x04 Einbau Stator PCB-HD / PCB-HD-T - Rotor		
Approved		Schwelle		Number			Rev.
ISO 8015 DIN ISO 2768 f H		Confidentiality level		Ind. Sheet			
units in mm	Mass	Volume	Scale	1:1	Format	A3	317929.0100
							4/4