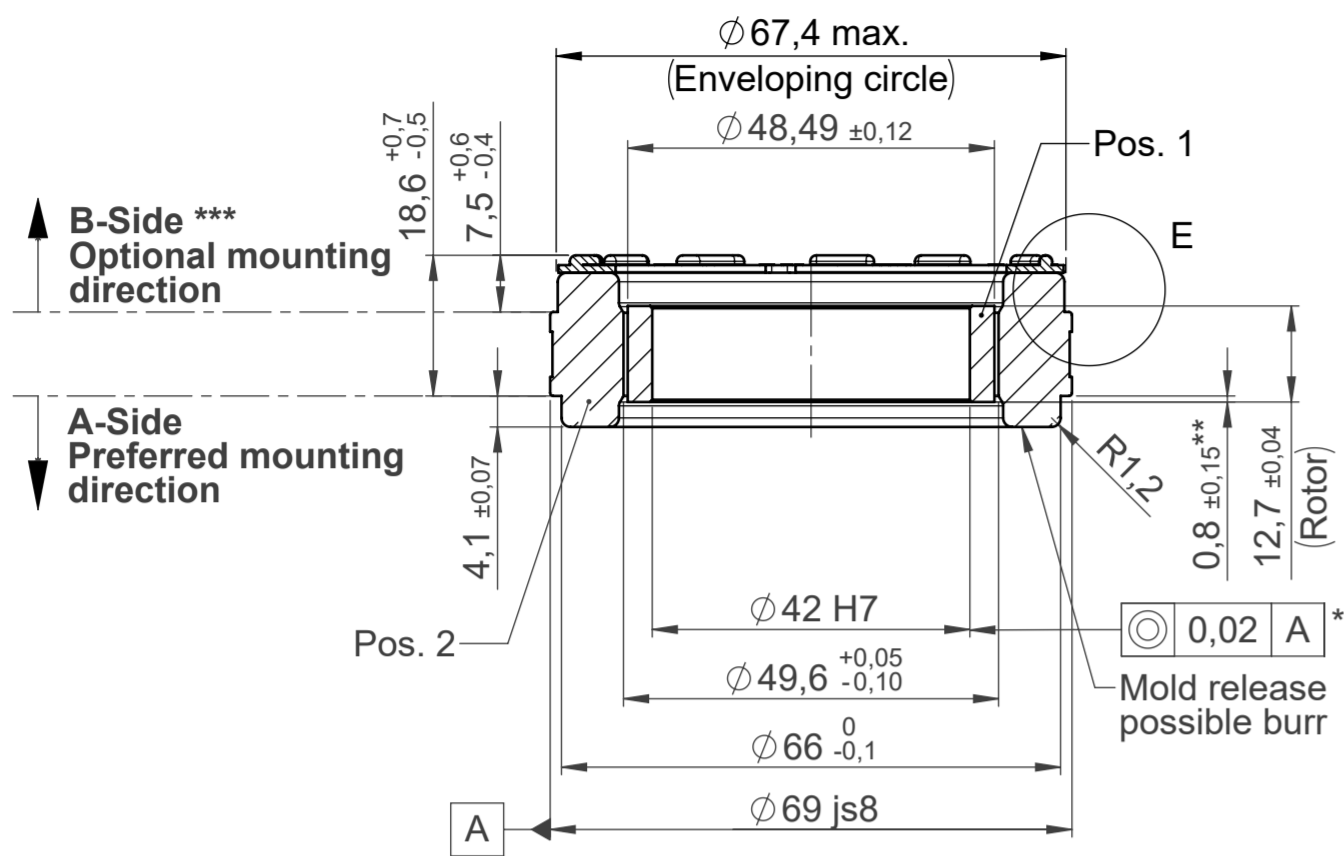


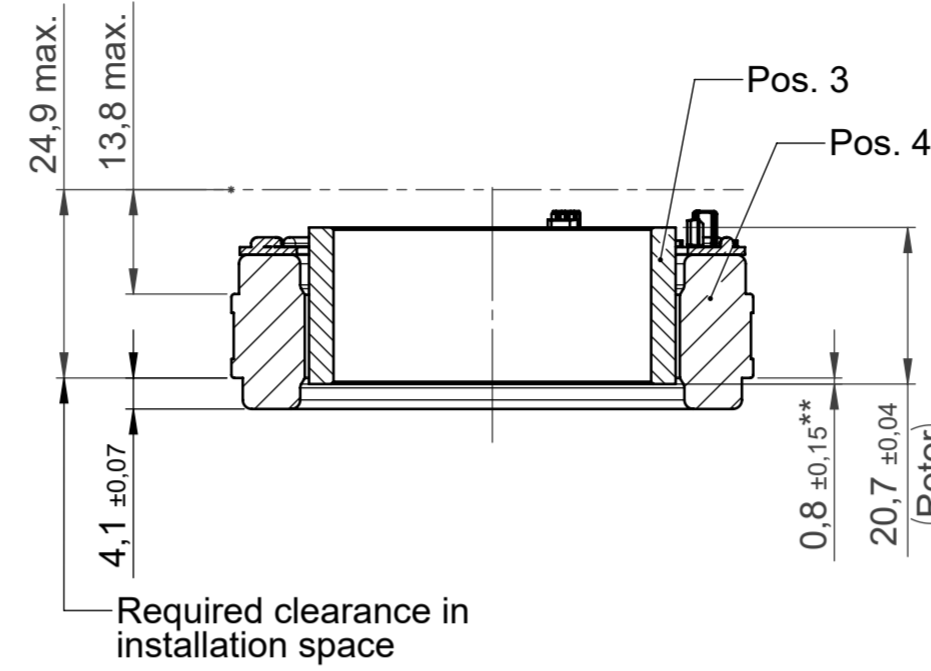
**ILM70x10 SERVO KIT PCB
ILM70x10 SERVO KIT PCB-T**

Section A-A

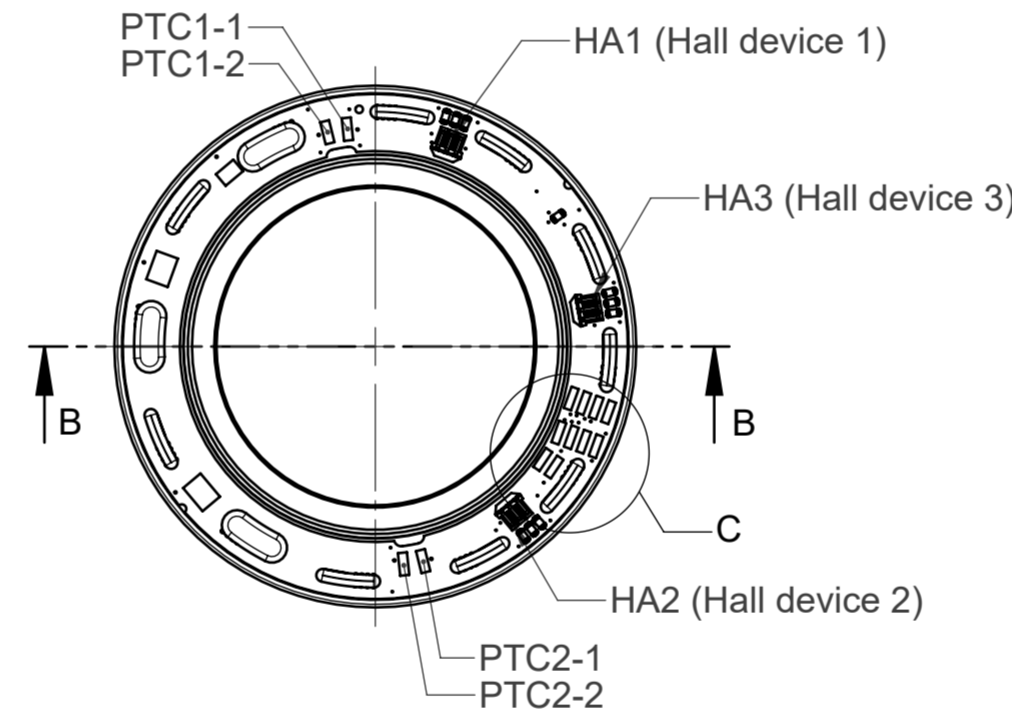
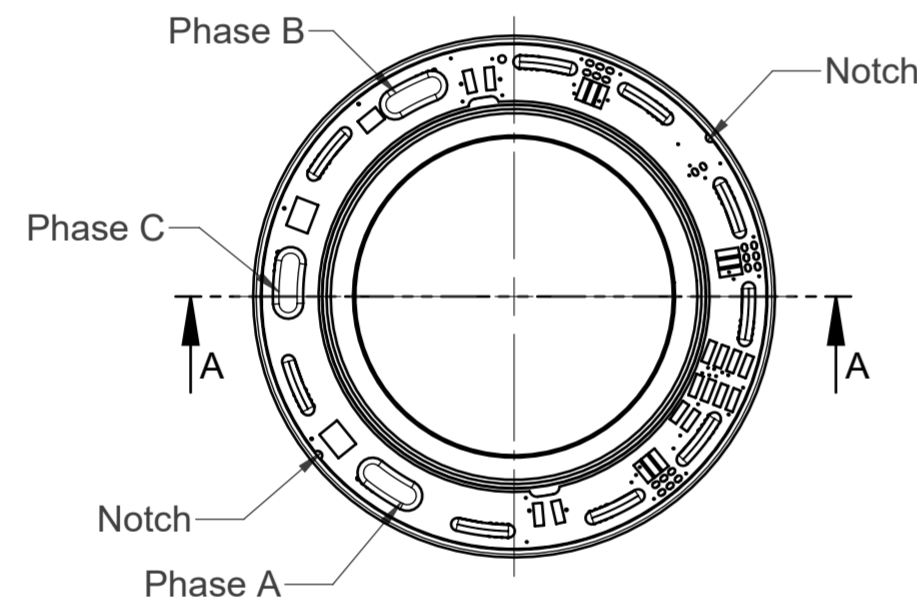
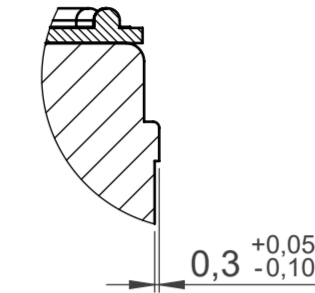


**ILM70x10 SERVO KIT PCB-HD
ILM70x10 SERVO KIT PCB-HD-T**

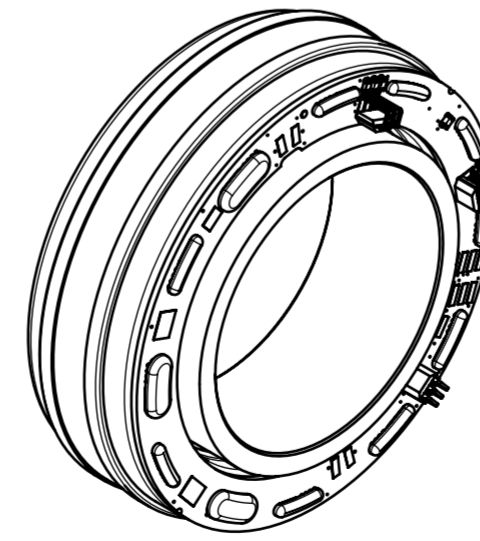
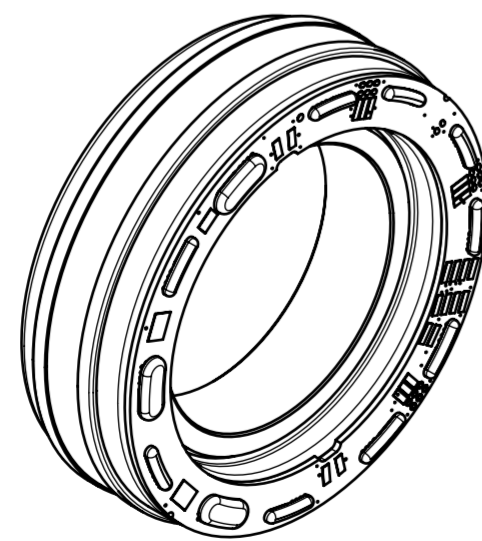
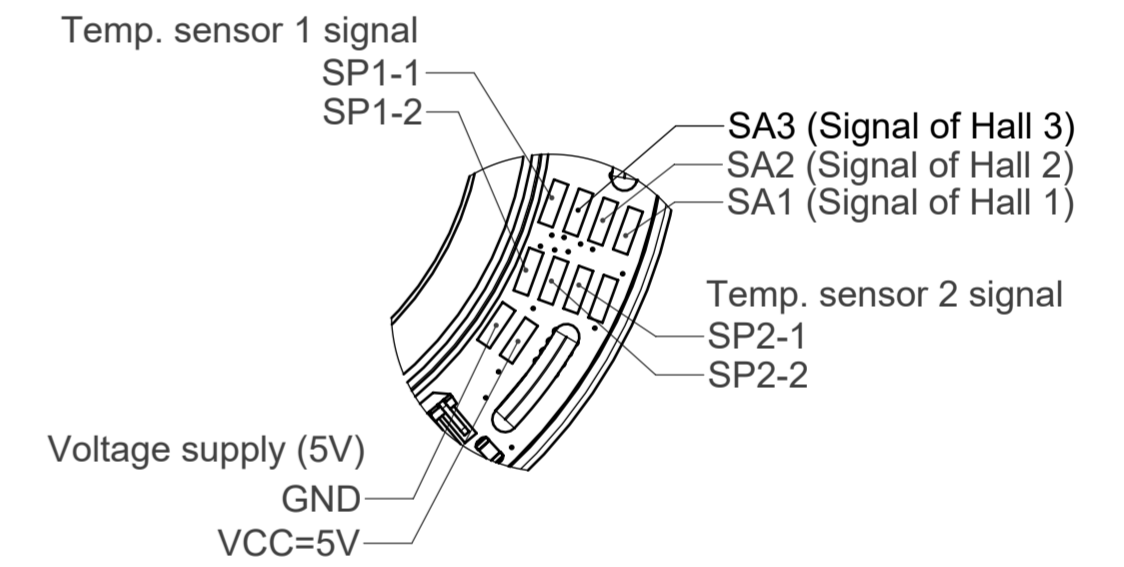
Section B-B



DETAIL E
Scale 2 : 1



DETAIL C
Scale 2:1



For further technical information please refer to the datasheet DRVA_DB-ILM-Kits_ILM70x10_Rev200


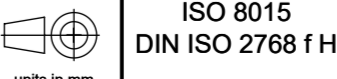
* In assembly

** Rotor position in relation to stator mounting edge

*** B-Side mounting requires additional TQ design support

Housing and shaft design according to installation dimensions of motor housing and motor shaft.

Compliant to EU-RoHS and EU-REACH, latest edition.

ECR Number		ECR Name		ECR Description		Engineering code E-00107593.01		
		Date	Name	Material				
		Prepared	12.02.2019	MeindIA				
		Checked	15.07.2019	Loos	Part name ILM70x10 SERVO KIT PCB Info			
		Approved	15.07.2019	Schwelle	Number		Rev.	Ind. Sheet
Mass	Volume	Scale 1:1		Format A2	317927.0100		1/4	

The reproduction, distribution and utilization of this document as well as the communication of its contents to others without express authorization is prohibited. Offenders will be held liable for the payment of damages. All rights reserved in the event of the grant of a patent, utility model or design.

ILM70x10 SERVO KIT PCB (Interconnection Type)

Identification	Position 1			Position 2		
	Order number	Order name	Amount	Order number	Order name	Amount
ILM70x10 SERVO KIT STD VSS	176094.0100	ILM70x10 Rotor	1	311571.0100	ILM70x10 Stator STD VSS	1
ILM70x10 SERVO KIT STD VSP	176094.0100	ILM70x10 Rotor	1	311573.0100	ILM70x10 Stator STD VSP	1
ILM70x10 SERVO KIT STD VDS	176094.0100	ILM70x10 Rotor	1	312445.0100	ILM70x10 Stator STD VDS	1
ILM70x10 SERVO KIT STD VDP	176094.0100	ILM70x10 Rotor	1	315217.0100	ILM70x10 Stator STD VDP	1
ILM70x10 SERVO KIT HS VSS	176094.0100	ILM70x10 Rotor	1	315183.0100	ILM70x10 Stator HS VSS	1
ILM70x10 SERVO KIT HS VSP	176094.0100	ILM70x10 Rotor	1	315190.0100	ILM70x10 Stator HS VSP	1
ILM70x10 SERVO KIT HS VDS	176094.0100	ILM70x10 Rotor	1	315194.0100	ILM70x10 Stator HS VDS	1
ILM70x10 SERVO KIT HS VDP	176094.0100	ILM70x10 Rotor	1	315198.0100	ILM70x10 Stator HS VDP	1

ILM70x10 SERVO KIT PCB-T (Option: Temperature sensor)

Identification	Position 1			Position 2		
	Order number	Order name	Amount	Order number	Order name	Amount
ILM70x10 SERVO KIT STD VSS-T	176094.0100	ILM70x10 Rotor	1	312186.0100	ILM70x10 Stator STD VSS-T	1
ILM70x10 SERVO KIT STD VSP-T	176094.0100	ILM70x10 Rotor	1	311848.0100	ILM70x10 Stator STD VSP-T	1
ILM70x10 SERVO KIT STD VDS-T	176094.0100	ILM70x10 Rotor	1	315235.0100	ILM70x10 Stator STD VDS-T	1
ILM70x10 SERVO KIT STD VDP-T	176094.0100	ILM70x10 Rotor	1	315236.0100	ILM70x10 Stator STD VDP-T	1
ILM70x10 SERVO KIT HS VSS-T	176094.0100	ILM70x10 Rotor	1	315231.0100	ILM70x10 Stator HS VSS-T	1
ILM70x10 SERVO KIT HS VSP-T	176094.0100	ILM70x10 Rotor	1	315232.0100	ILM70x10 Stator HS VSP-T	1
ILM70x10 SERVO KIT HS VDS-T	176094.0100	ILM70x10 Rotor	1	315233.0100	ILM70x10 Stator HS VDS-T	1
ILM70x10 SERVO KIT HS VDP-T	176094.0100	ILM70x10 Rotor	1	315234.0100	ILM70x10 Stator HS VDP-T	1

ILM70x10 SERVO KIT PCB-HD (Option: Hall Digital commutation)

Identification	Position 3			Position 4		
	Order number	Order name	Amount	Order number	Order name	Amount
ILM70x10 SERVO KIT STD VSS-HD	286838.0101	ILM70x18 Rotor	1	312458.0100	ILM70x10 Stator STD VSS-HD	1
ILM70x10 SERVO KIT STD VSP-HD	286838.0101	ILM70x18 Rotor	1	315214.0100	ILM70x10 Stator STD VSP-HD	1
ILM70x10 SERVO KIT STD VDS-HD	286838.0101	ILM70x18 Rotor	1	315216.0100	ILM70x10 Stator STD VDS-HD	1
ILM70x10 SERVO KIT STD VDP-HD	286838.0101	ILM70x18 Rotor	1	315218.0100	ILM70x10 Stator STD VDP-HD	1
ILM70x10 SERVO KIT HS VSS-HD	286838.0101	ILM70x18 Rotor	1	315188.0100	ILM70x10 Stator HS VSS-HD	1
ILM70x10 SERVO KIT HS VSP-HD	286838.0101	ILM70x18 Rotor	1	315192.0100	ILM70x10 Stator HS VSP-HD	1
ILM70x10 SERVO KIT HS VDS-HD	286838.0101	ILM70x18 Rotor	1	315197.0100	ILM70x10 Stator HS VDS-HD	1
ILM70x10 SERVO KIT HS VDP-HD	286838.0101	ILM70x18 Rotor	1	315204.0100	ILM70x10 Stator HS VDP-HD	1

ILM70x10 SERVO KIT PCB-HD-T (Option: Hall Digital commutation + Temperature sensor)

Identification	Position 3			Position 4		
	Order number	Order name	Amount	Order number	Order name	Amount
ILM70x10 SERVO KIT STD VSS-HD-T	286838.0101	ILM70x18 Rotor	1	315219.0100	ILM70x10 Stator STD VSS-HD-T	1
ILM70x10 SERVO KIT STD VSP-HD-T	286838.0101	ILM70x18 Rotor	1	315220.0100	ILM70x10 Stator STD VSP-HD-T	1
ILM70x10 SERVO KIT STD VDS-HD-T	286838.0101	ILM70x18 Rotor	1	315222.0100	ILM70x10 Stator STD VDS-HD-T	1
ILM70x10 SERVO KIT STD VDP-HD-T	286838.0101	ILM70x18 Rotor	1	315223.0100	ILM70x10 Stator STD VDP-HD-T	1
ILM70x10 SERVO KIT HS VSS-HD-T	286838.0101	ILM70x18 Rotor	1	315207.0100	ILM70x10 Stator HS VSS-HD-T	1
ILM70x10 SERVO KIT HS VSP-HD-T	286838.0101	ILM70x18 Rotor	1	315209.0100	ILM70x10 Stator HS VSP-HD-T	1
ILM70x10 SERVO KIT HS VDS-HD-T	286838.0101	ILM70x18 Rotor	1	315210.0100	ILM70x10 Stator HS VDS-HD-T	1
ILM70x10 SERVO KIT HS VDP-HD-T	286838.0101	ILM70x18 Rotor	1	315211.0100	ILM70x10 Stator HS VDP-HD-T	1

Product configuration code:

ILM70x10 SERVO KIT XXX YYY - HD - T

Lamination grade:

STD Standard
HS High Speed

Interconnection:

VSS Star-Serial
VSP Star-Parallel
VDS Delta-Serial
VDP Delta-Parallel



Feedback:

HD Hall Digital

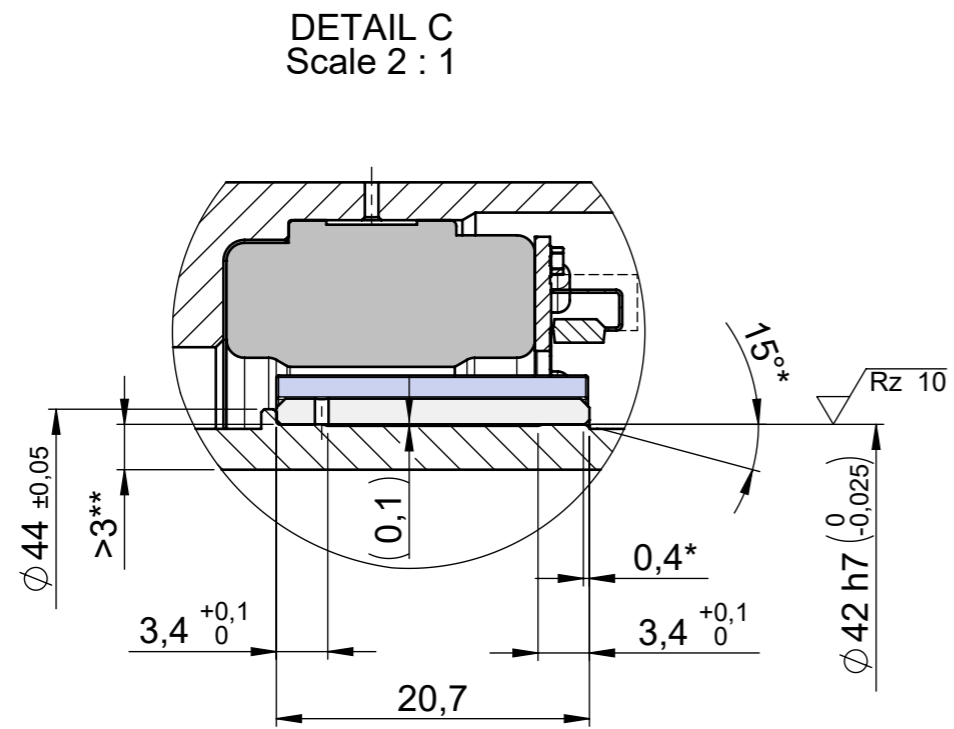
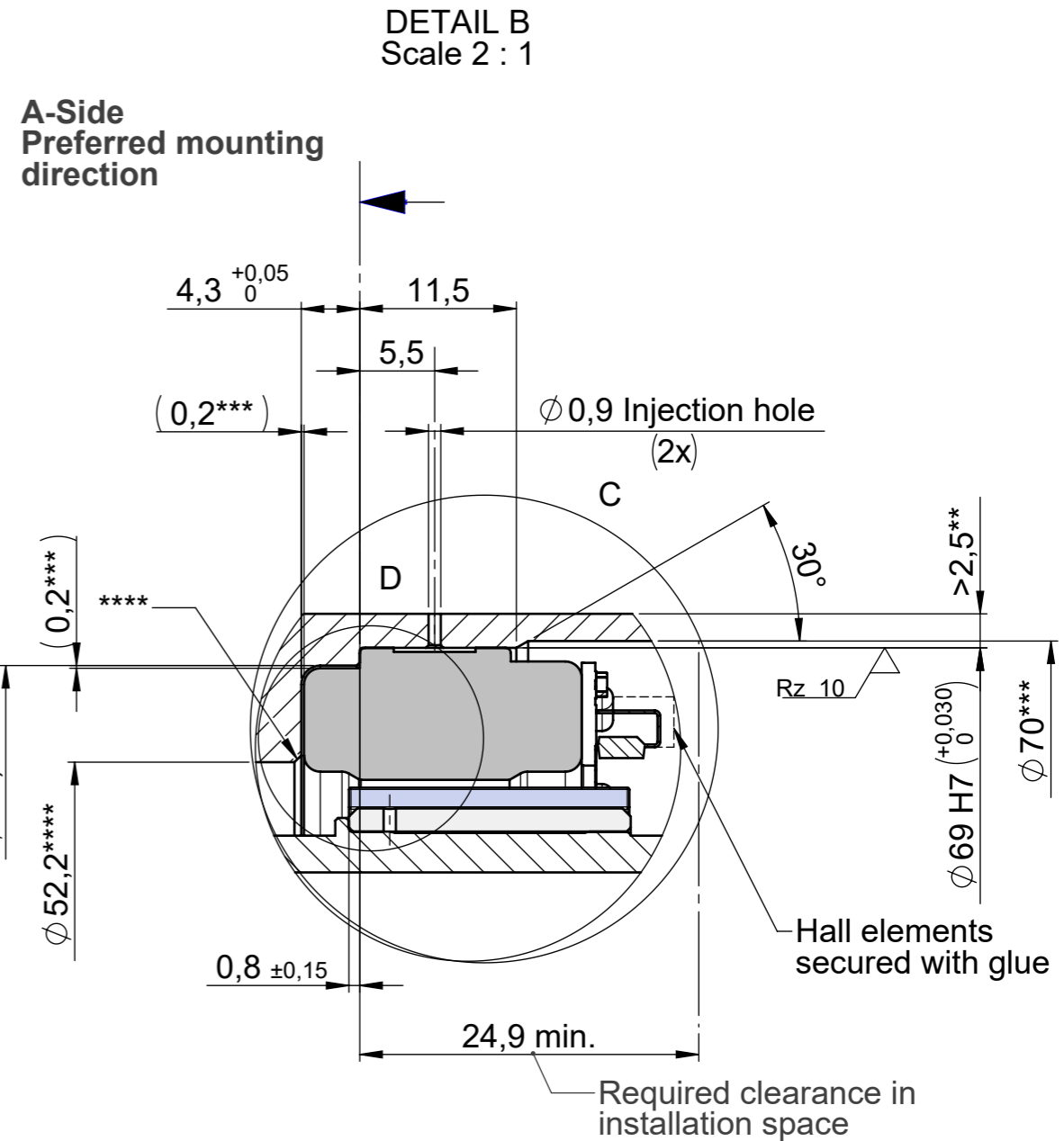
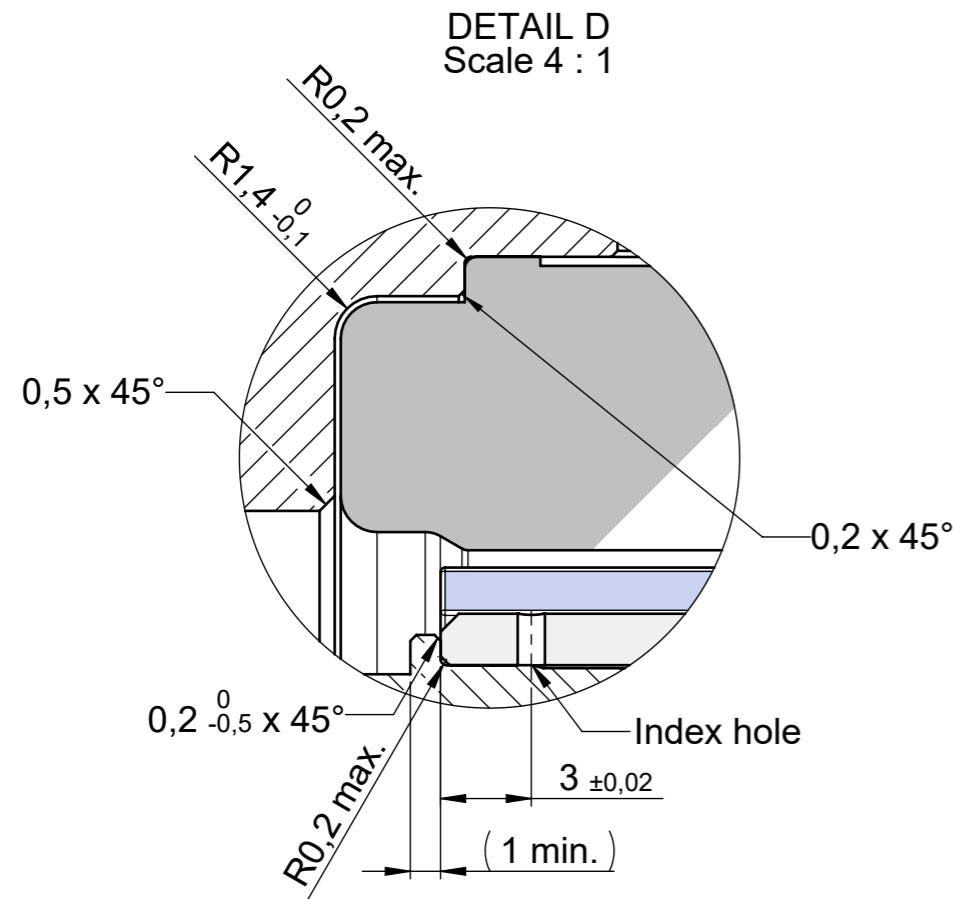
Configuration:

T Temperature sensor

Compliant to EU-RoHS and EU-REACH, latest edition.

ECR Number		ECR Name		ECR Description		Engineering code E-00107593.01				
		Date	Name	Material						
		Prepared	12.02.2019	MeindlA						
		Checked	15.07.2019	Loos	Part name ILM70x10 SERVO KIT PCB Info					
 ISO 8015		Approved	15.07.2019	Schwelle	Number			Rev.	Ind.	Sheet
Mass	Volume	Confidentially level		Scale 1:1		Format A3		317927.0100		2/4

The reproduction, distribution and utilization of this document as well as the communication of its contents to others without express authorization is prohibited. Offenders will be held liable for the payment of damages. All rights reserved in the event of the grant of a patent, utility model or design.



- * Recommended slip bevel
- ** Recommended wall thickness
- *** Suggested dimension for air and creeping distances (<50V) UL and NRTL certification
- **** Proposal to simplify cleaning after gluing

DIN ISO 13715 -0.3
-0.1 +0.3
+0.1

Rz 16 (✓)

Compliant to EU-RoHS and EU-REACH, latest edition.

ECR Number		ECR Name		ECR Description		Engineering code E-00107593.01	
		Date		Name		Material	
		Prepared		MeindlA		Part name ILM70x10 Einbau Stator PCB-HD / PCB-HD-T - Rotor	
		Checked		Loos			
Approved		15.07.2019		Schwelle		Number 317927.0100	
Confidentially level							
Mass		Volume		Scale 1:1		Format A3	
						Ind. Sheet 4/4	