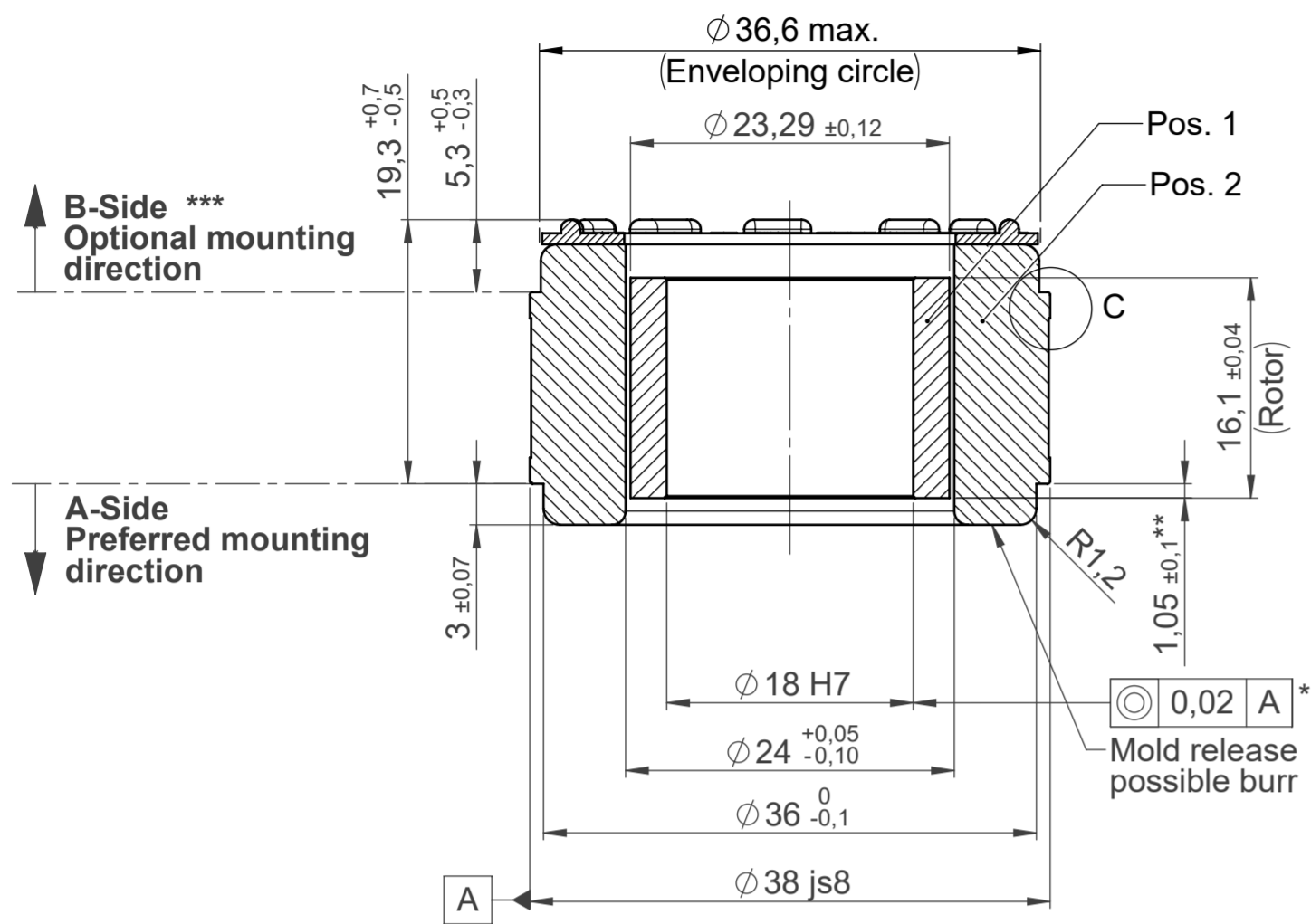


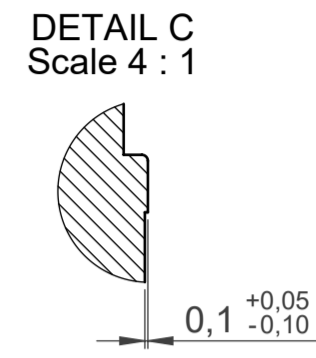
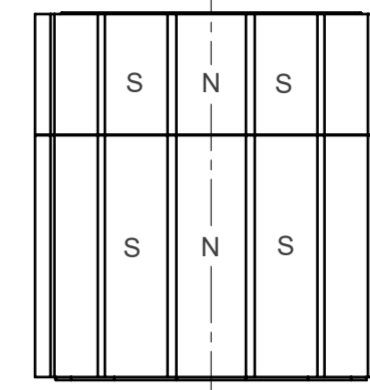
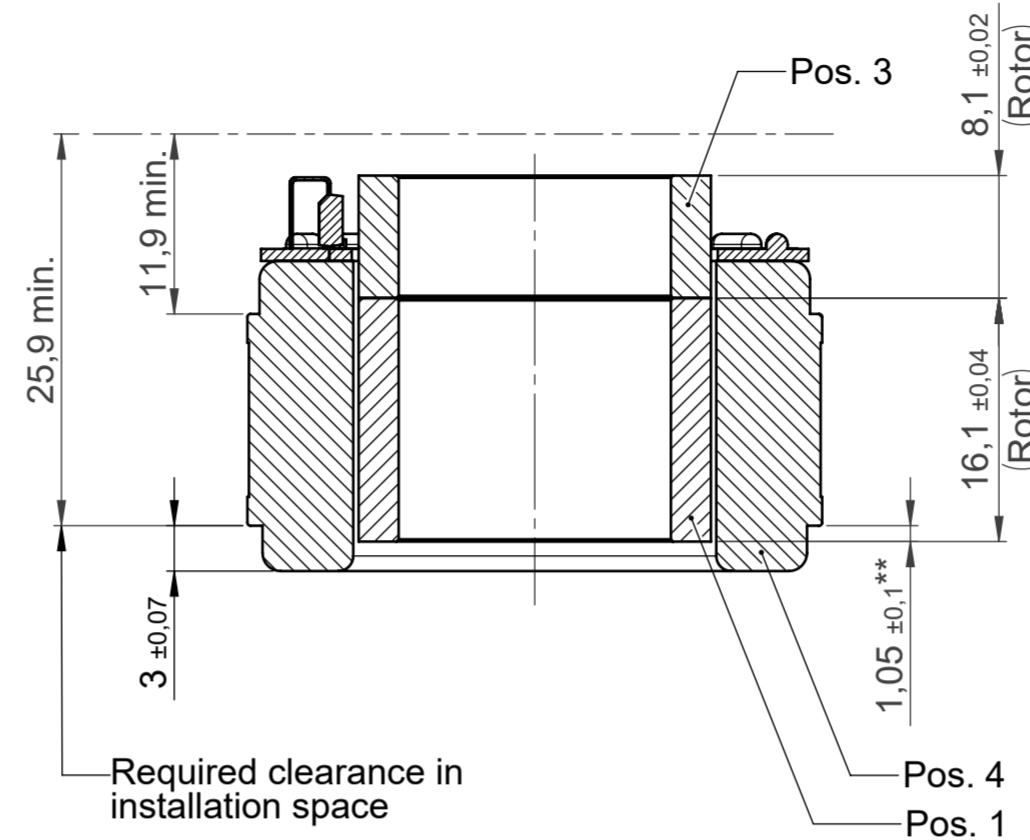
**ILM38x12 SERVO KIT PCB
ILM38x12 SERVO KIT PCB-T**

Section A-A

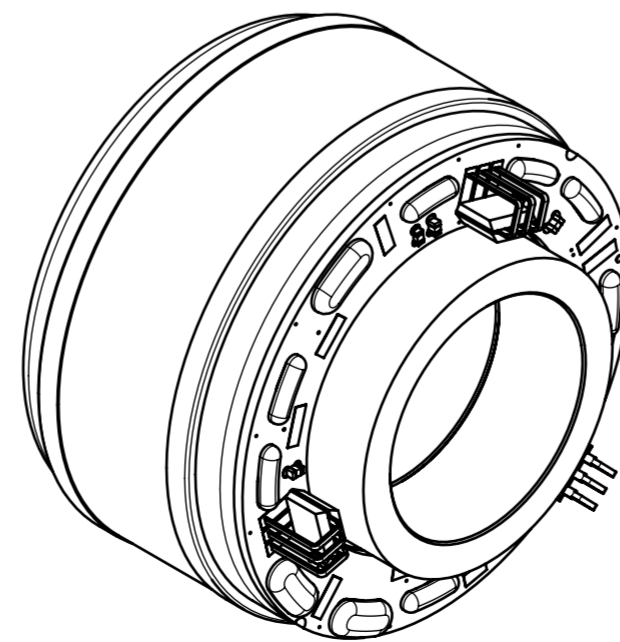
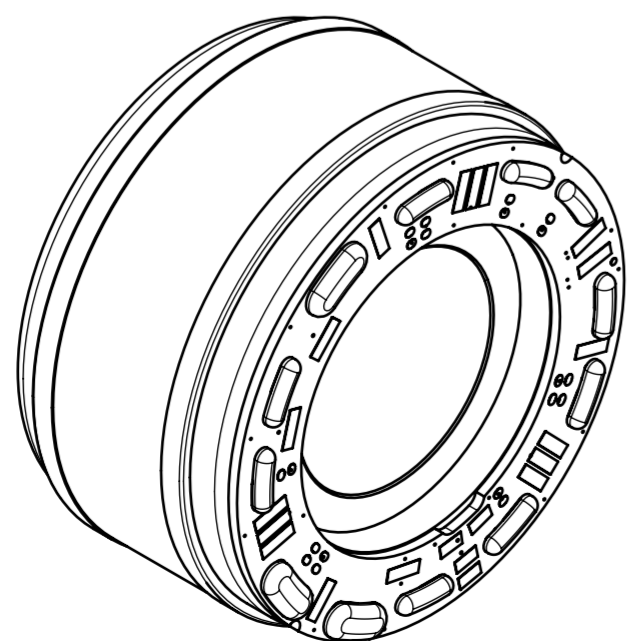
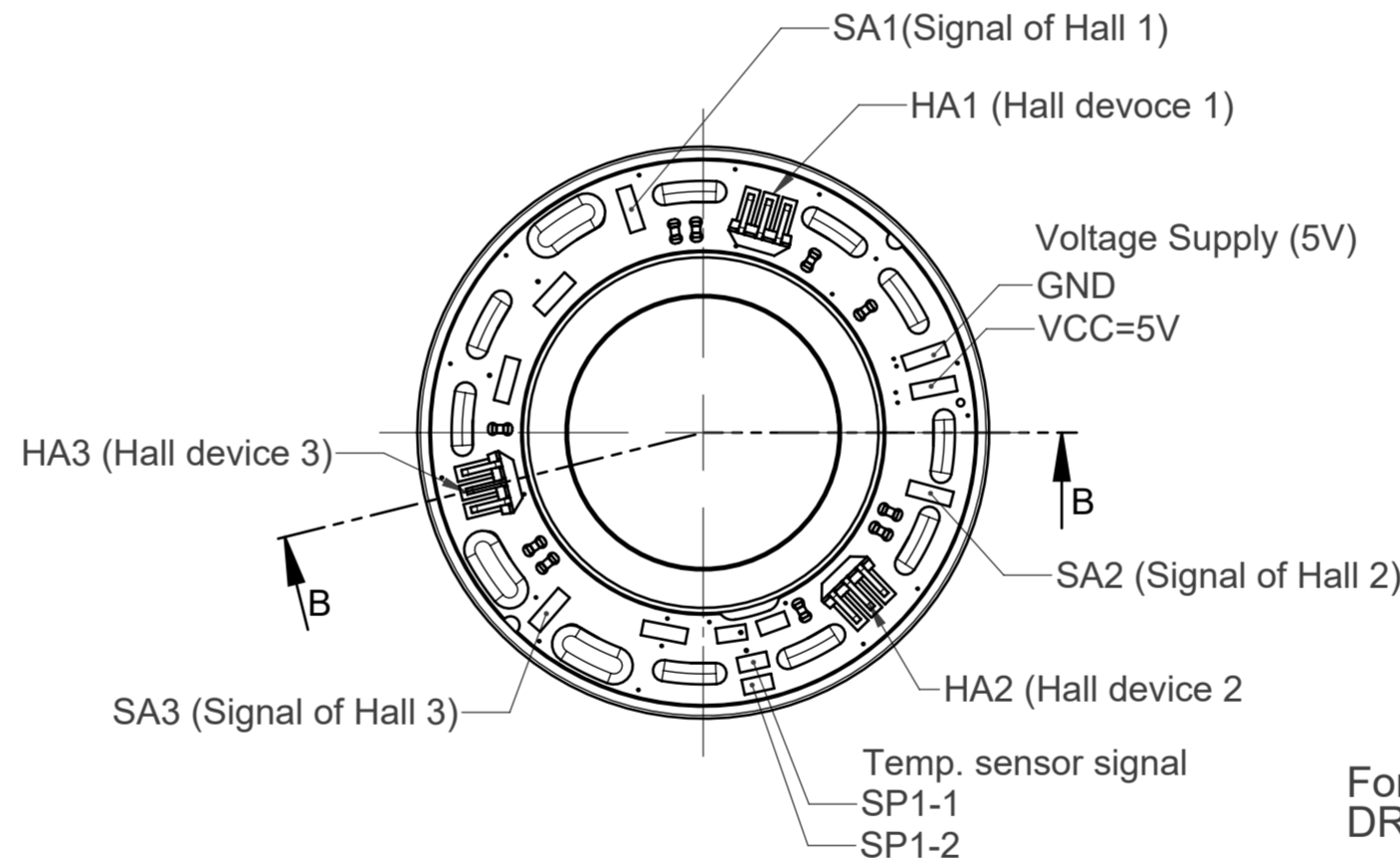
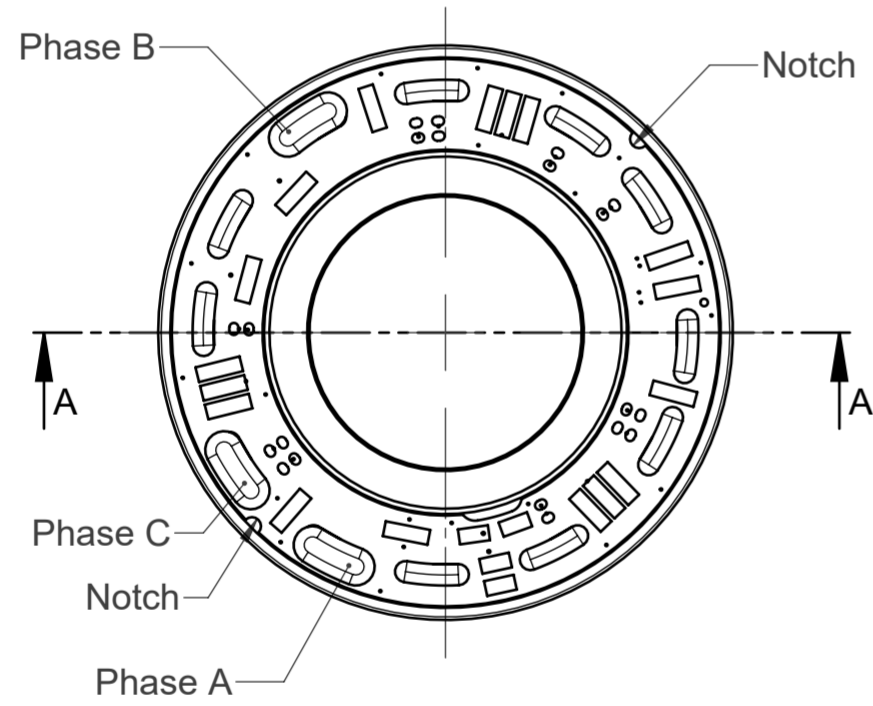


**ILM38x12 SERVO KIT PCB-HD
ILM38x12 SERVO KIT PCB-HD-T**

Section B-B



Rotor:
pay attention to the location
of the poles



For further technical information please refer to the datasheet
DRVA_DB-ILM-Kits_ILM38x12_Rev200

- * In assembly
- ** Rotor position in relation to stator mounting edge
- *** B-Side mounting requires additional TQ design support

Housing and shaft design according to installation dimensions of
motor housing and motor shaft.

Compliant to EU-RoHS and EU-REACH, latest edition.

ECR Number		ECR Name		ECR Description		Engineering code E-00108493.03	
	Prepared	03.12.2018	MeindIA	Date		Name	
	Checked	12.07.2019	Loos	Date		Name	
	Approved	15.07.2019	Schwelle	Date		Name	
ISO 8015 DIN ISO 2768 f H		Confidentiality level		Part name ILM38x12 SERVO KIT PCB Info		Number	
Mass	Volume	Scale	2:1	Format	A2	Rev.	Ind. Sheet
						317925.0100	
						1/4	

The reproduction, distribution and utilization of this document as well as the communication of its contents to others without express authorization is prohibited. Offenders will be held liable for the payment of damages. All rights reserved in the event of a patent, utility model or design.

ILM38x12 SERVO KIT PCB (Interconnection Type)

Identification	Position 1			Position 2		
	Order number	Order name	Amount	Order number	Order name	Amount
ILM38x12 SERVO KIT HS VSS	288138.0102	ILM38x12 Rotor	1	315237.0100	ILM38x12 Stator HS VSS	1
ILM38x12 SERVO KIT HS VSP	288138.0102	ILM38x12 Rotor	1	315306.0100	ILM38x12 Stator HS VSP	1

ILM38x12 SERVO KIT PCB-T (Option: Temperature sensor)

Identification	Position 1			Position 2		
	Order number	Order name	Amount	Order number	Order name	Amount
ILM38x12 SERVO KIT HS VSS-T	288138.0102	ILM38x12 Rotor	1	312189.0100	ILM38x12 Stator HS VSS-T	1
ILM38x12 SERVO KIT HS VSP-T	288138.0102	ILM38x12 Rotor	1	311861.0100	ILM38x12 Stator HS VSP-T	1

ILM38x12 SERVO KIT PCB-HD (Option: Hall Digital commutation)

Identification	Position 1			Position 3			Position 4		
	Order number	Order name	Amount	Order number	Order name	Amount	Order number	Order name	Amount
ILM38x12 SERVO KIT HS VSS-HD	288138.0102	ILM38x12 Rotor	1	286833.0102	ILM38x06 Rotor	1	315238.0100	ILM38x12 Stator HS VSS-HD	1
ILM38x12 SERVO KIT HS VSP-HD	288138.0102	ILM38x12 Rotor	1	286833.0102	ILM38x06 Rotor	1	315308.0100	ILM38x12 Stator HS VSP-HD	1

ILM38x12 SERVO KIT PCB-HD-T (Option: Hall Digital commutation + Temperature sensor)

Identification	Position 1			Position 3			Position 4		
	Order number	Order name	Amount	Order number	Order name	Amount	Order number	Order name	Amount
ILM38x12 SERVO KIT HS VSS-HD-T	288138.0102	ILM38x12 Rotor	1	286833.0102	ILM38x06 Rotor	1	315309.0100	ILM38x12 Stator HS VSS-HD-T	1
ILM38x12 SERVO KIT HS VSP-HD-T	288138.0102	ILM38x12 Rotor	1	286833.0102	ILM38x06 Rotor	1	315310.0100	ILM38x12 Stator HS VSP-HD-T	1

Product configuration code:

ILM38x12 SERVO KIT XXX YYY - HD - T



Lamination grade: _____
 HS High Speed

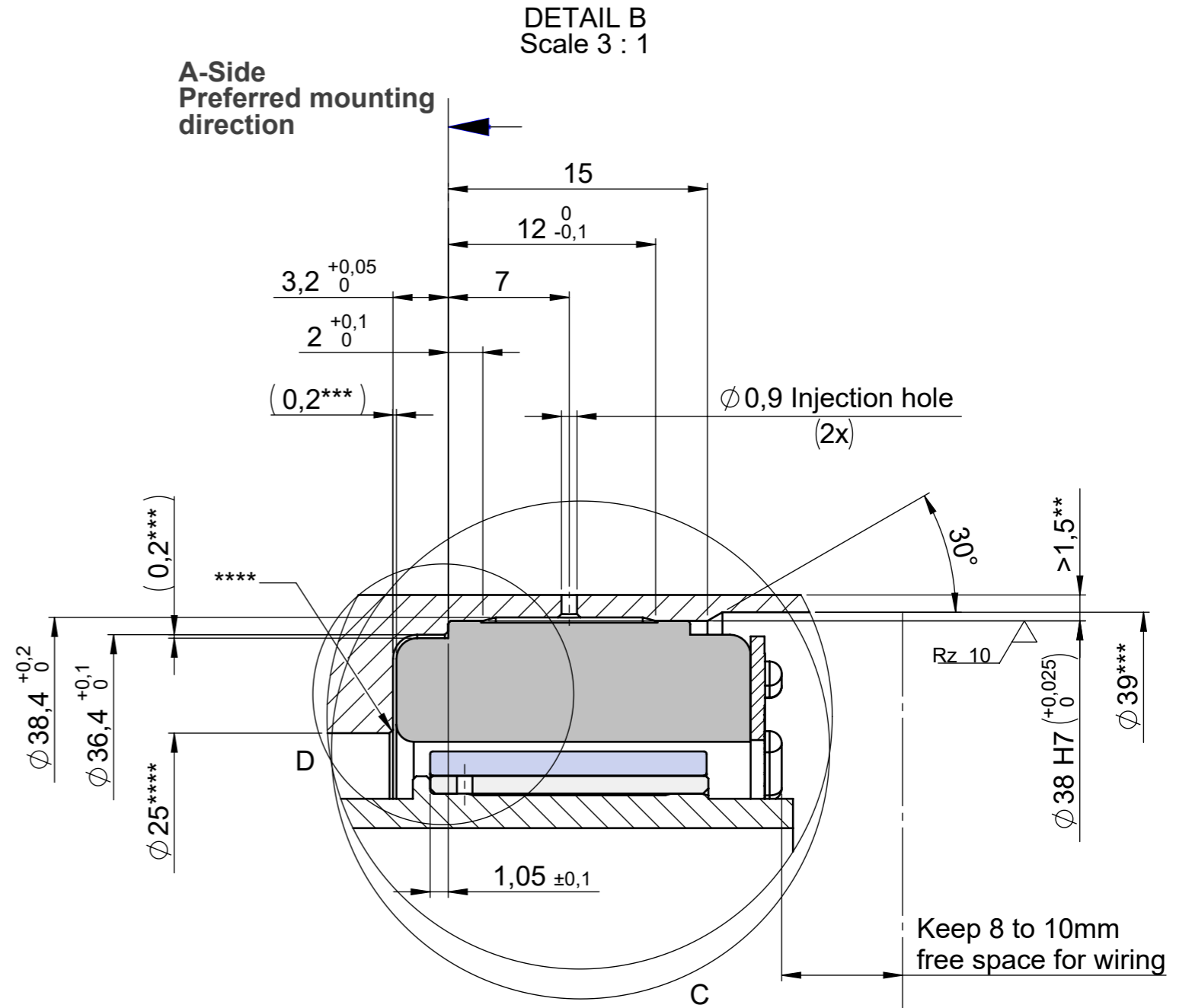
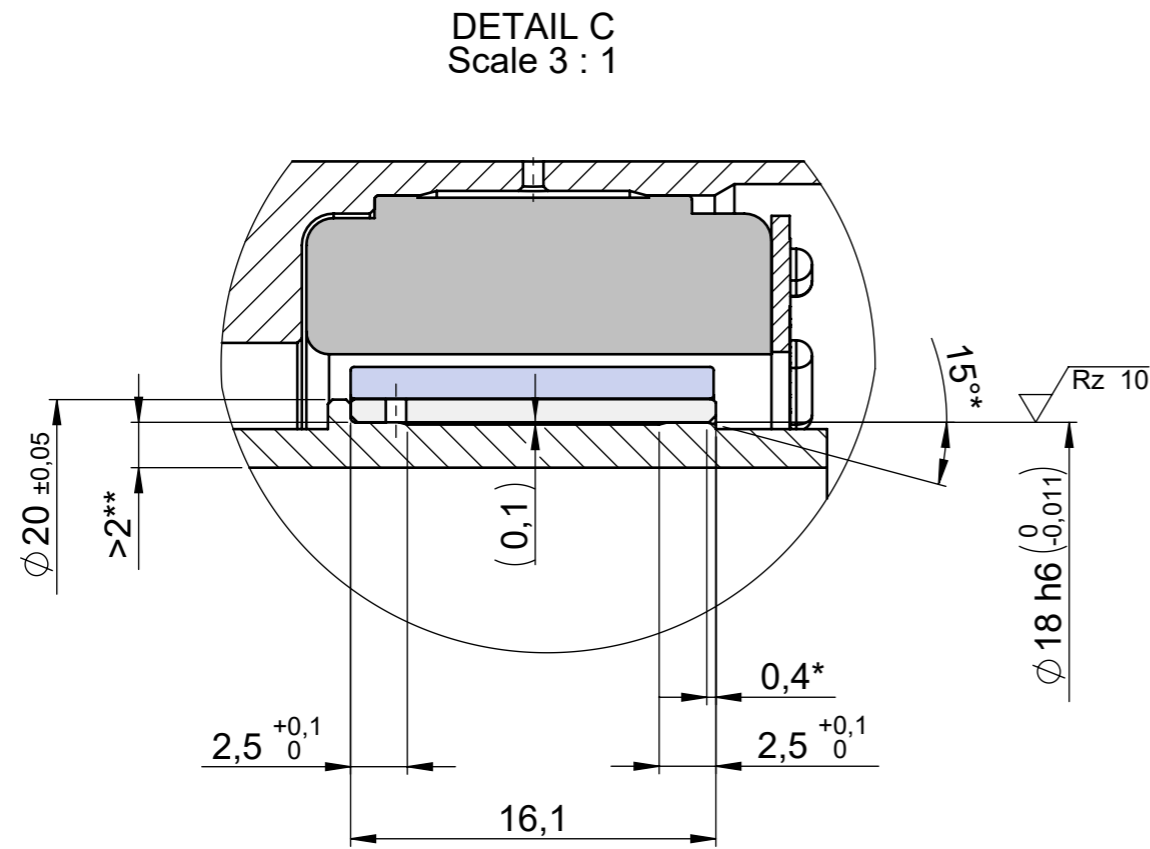
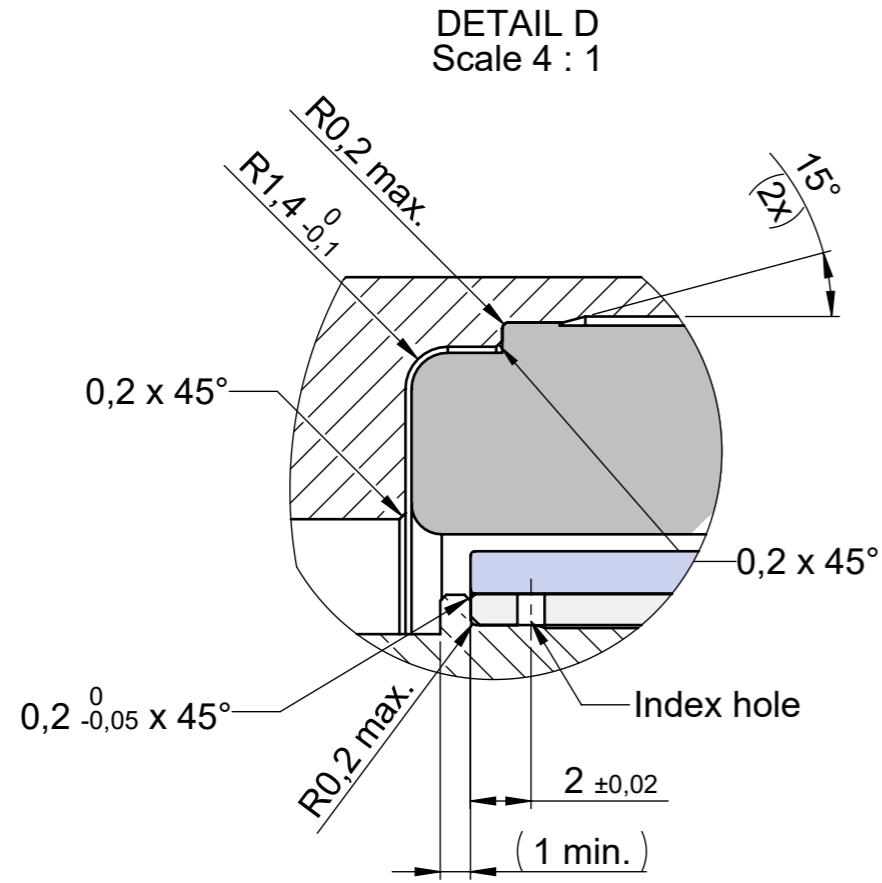
Interconnection: _____
 VSS Star-Serial
 VSP Star-Parallel

Feedback: _____
 HD Hall Digital

Configuration: _____
 T Temperature sensor

Compliant to EU-RoHS and EU-REACH, latest edition.

ECR Number		ECR Name		ECR Description		Engineering code E-00108493.03	
		Date		Name		Material	
		Prepared		Checked		Part name	
		03.12.2018		12.07.2019		ILM38x12 SERVO KIT PCB Info	
		ISO 8015		Approved		Schwelle	
units in mm		Confidentially level		Scale		Rev. Ind. Sheet	
Mass		Volume		1:1		Number 317925.0100	
				Format A3		2/4	



- * Recommended slip bevel
- ** Recommended wall thickness
- *** Suggested dimension for air and creeping distances (<math>< 50\text{V}</math>) UL and NRTL certification
- **** Proposal to simplify cleaning after gluing

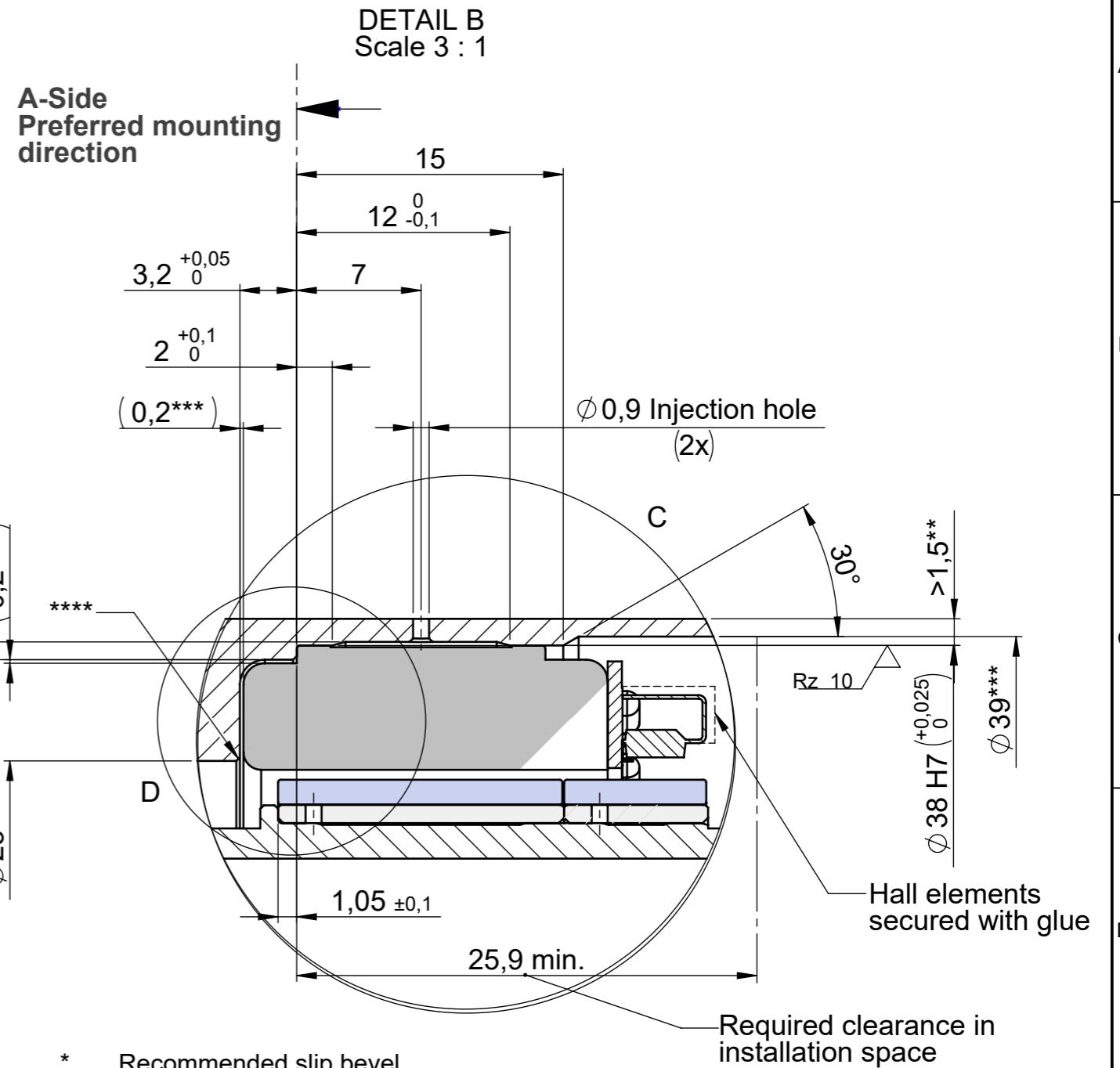
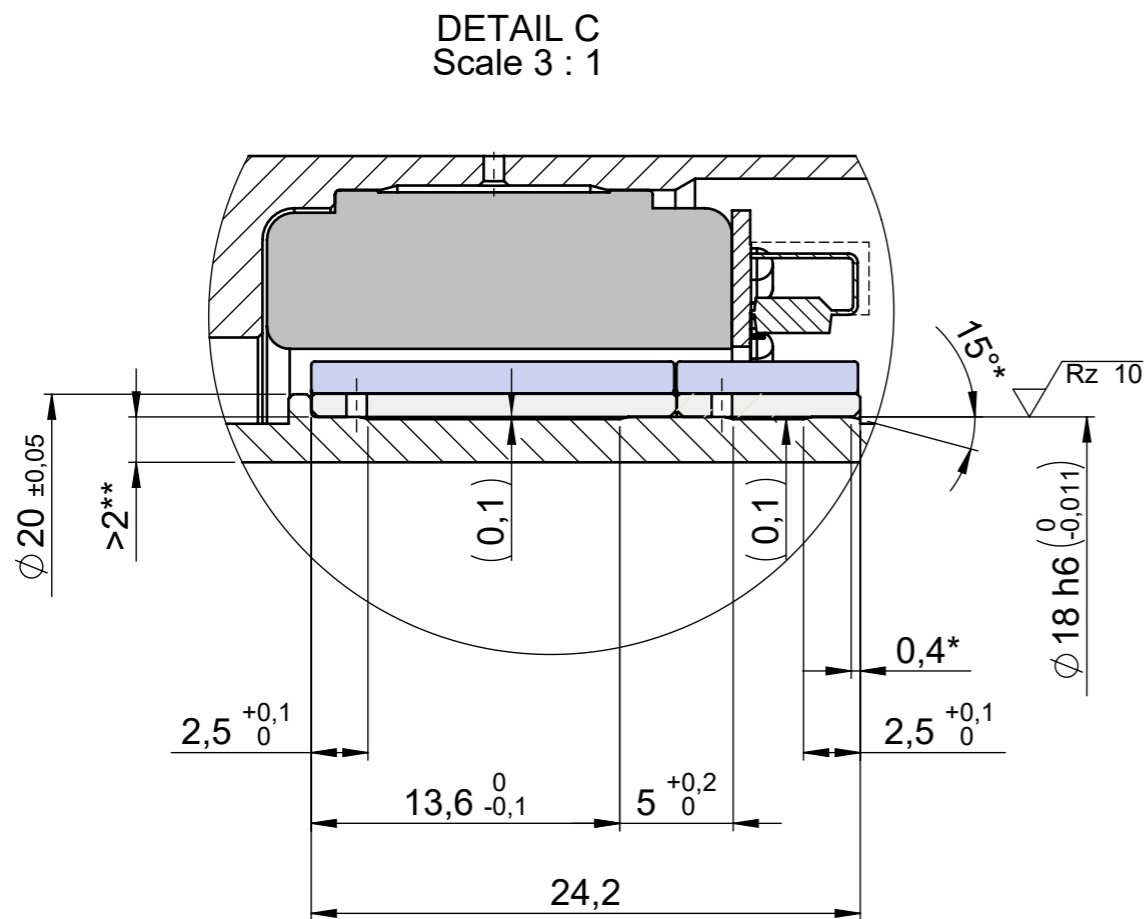
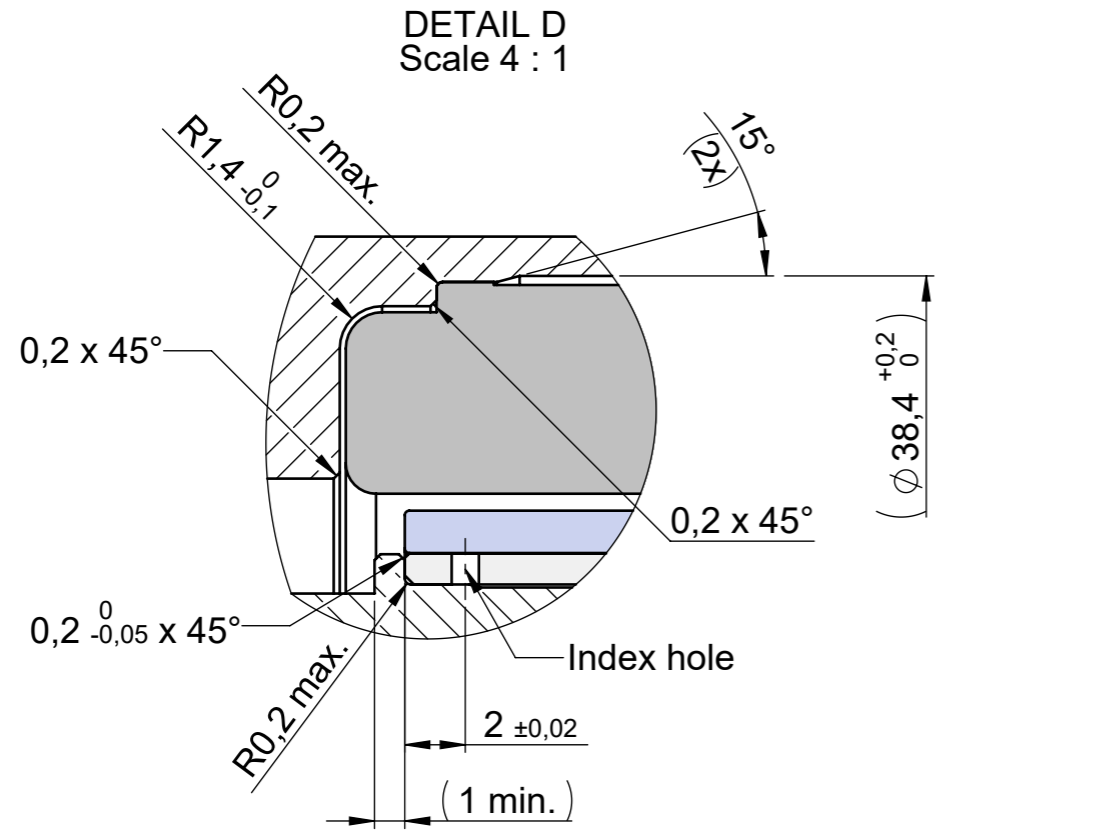
$Rz 16$ (✓)

DIN ISO 13715

Compliant to EU-RoHS and EU-REACH, latest edition.

ECR Number		ECR Name		ECR Description		Engineering code E-00108493.03	
	Date		Name		Material		
	Prepared		MeindlA				
	Checked		Loos		Part name ILM38x12 Einbau Stator PCB / PCB-T - Rotor		
Approved		Schwelle					
Confidentially level				Number		Rev.	
Scale		1:1		Format		A3	
Mass		Volume		317925.0100		Ind. Sheet 3/4	

The reproduction, distribution and utilization of this document as well as the communication of its contents to others without express authorization is prohibited. Offenders will be held liable for the payment of damages. All rights reserved in the event of the grant of a patent, utility model or design.



- * Recommended slip bevel
- ** Recommended wall thickness
- *** Suggested dimension for air and creeping distances (<50V) UL and NRTL certification
- **** Proposal to simplify cleaning after gluing

Rz 16 (✓)

DIN ISO 13715 -0,3
-0,1 +0,3
+0,1
Compliant to EU-RoHS and EU-REACH, latest edition.

ECR Number		ECR Name		ECR Description		Engineering code E-00108493.03		
		Date	Name	Material				
		Prepared	03.12.2018	MeindlA				
		Checked	12.07.2019	Loos	Part name ILM38x12 Einbau Stator PCB-HD / PCB-HD-T - Rotor			
 units in mm		Approved	15.07.2019	Schwelle				
		Confidentially level				Number	Rev.	Ind. Sheet
Mass	Volume	Scale 1:1		Format A3	317925.0100		4/4	