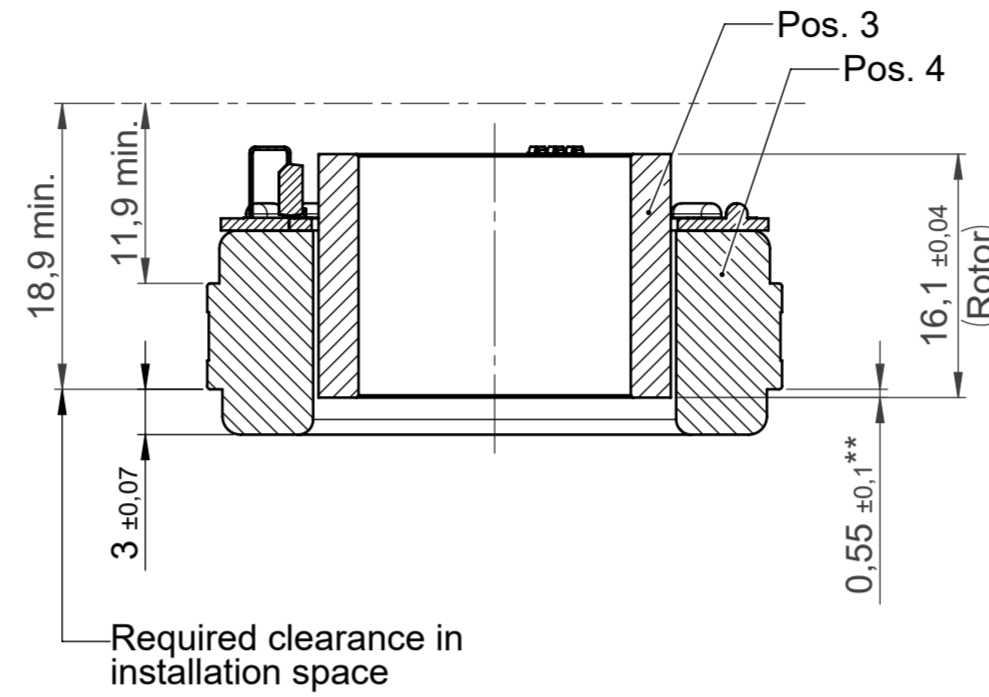
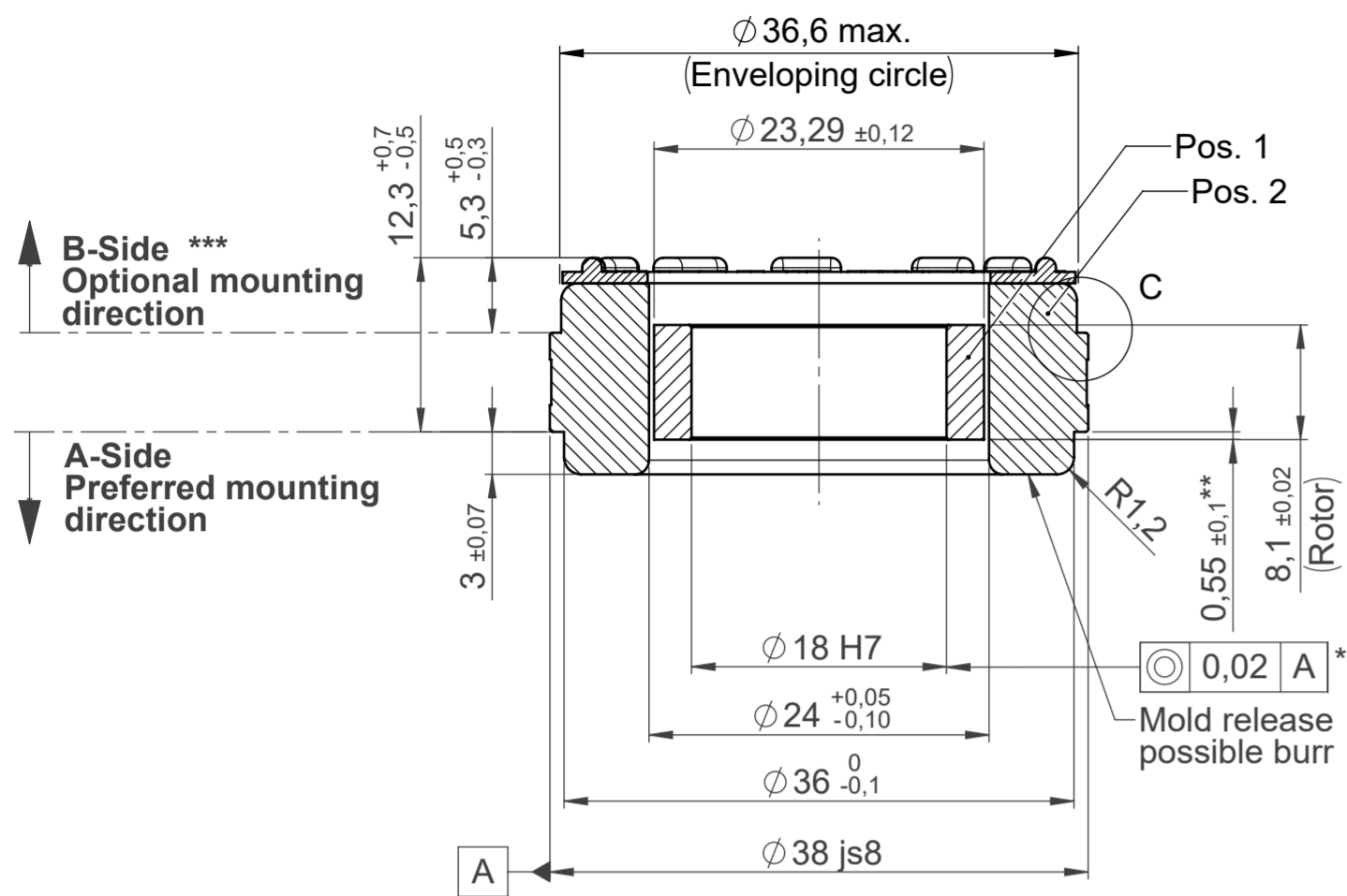


ILM38x06 SERVO KIT PCB
ILM38x06 SERVO KIT PCB-T

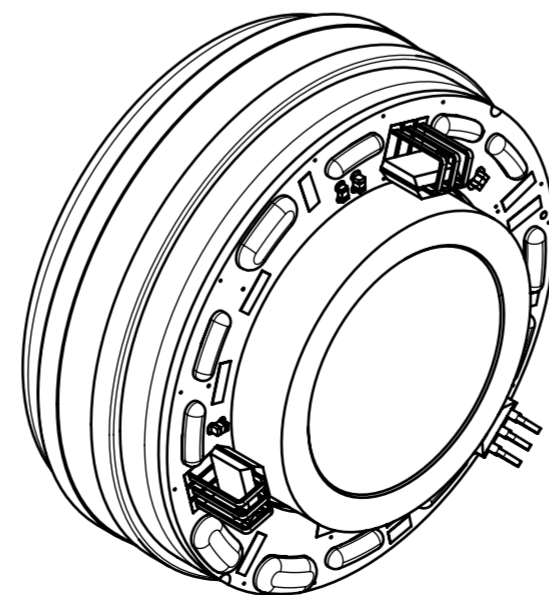
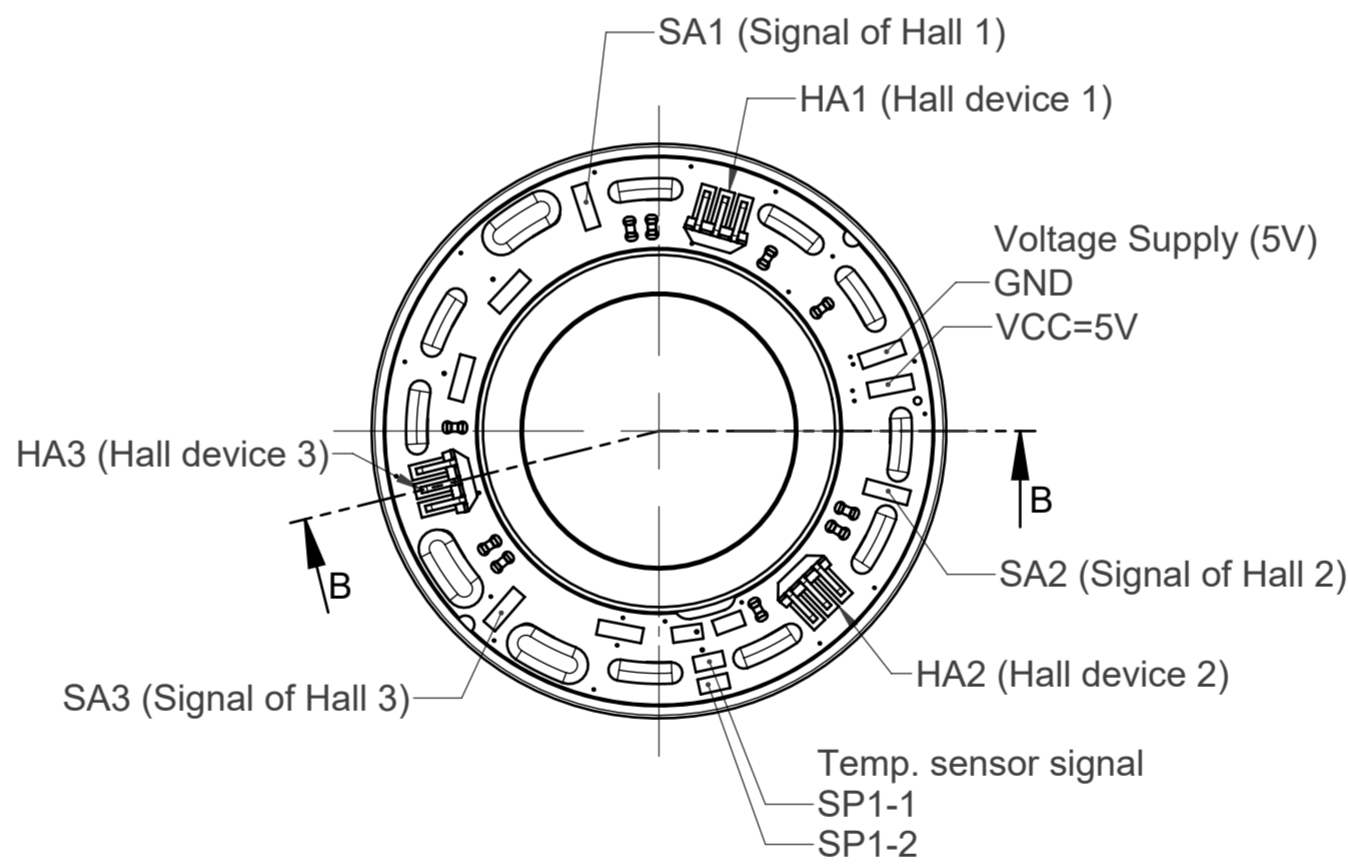
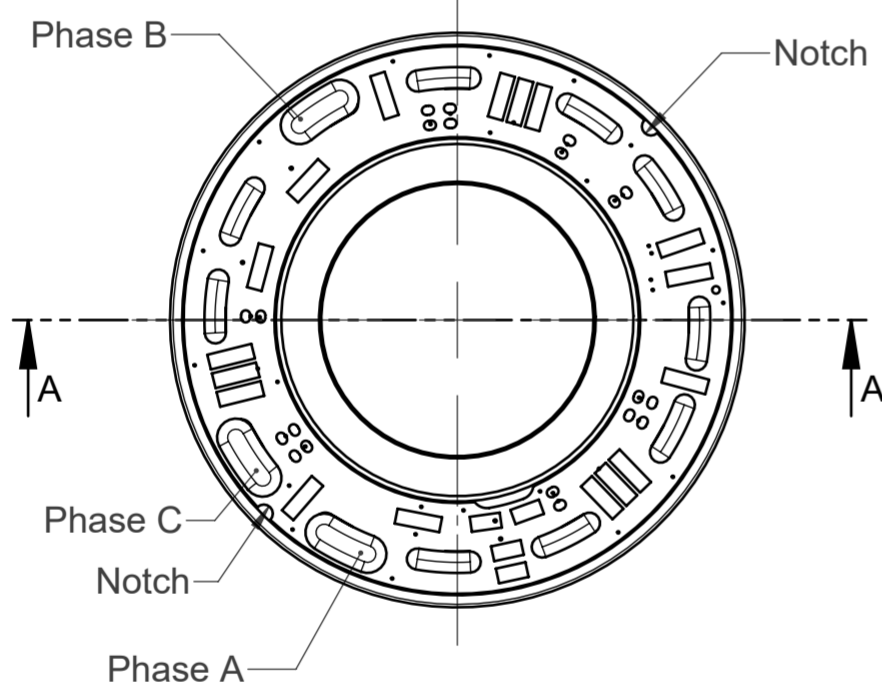
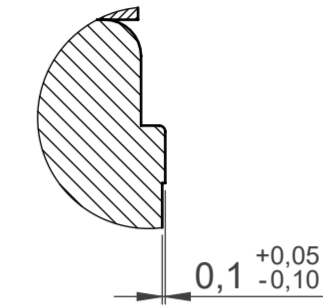
Section A-A

ILM38x06 SERVO KIT PCB-HD
ILM38x06 SERVO KIT PCB-HD-T

Section B-B



DETAIL C
Scale 4 : 1


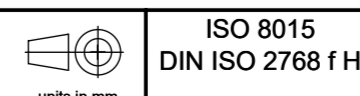


For further technical information please refer to the datasheet
DRVA_DB-ILM-Kits_ILM38x06_Rev200

- * In assembly
- ** Rotor position in relation to stator mounting edge
- *** B-Side mounting requires additional TQ design support

Housing and shaft design according to installation dimensions of
motor housing and motor shaft.

Compliant to EU-RoHS and EU-REACH, latest edition.

ECR Number		ECR Name		ECR Description		Engineering code E-00108488.04		
		Date	Name	Material				
		Prepared	10.04.2019	MeindlA				
		Checked	15.07.2019	Loos	Part name ILM38x06 SERVO KIT PCB			
		Approved	15.07.2019	Schwelle	Info			
units in mm		Confidentiality level		Number		Rev.	Ind. Sheet	
Mass	Volume	Scale	2:1	Format	A2	317924.0100		
						1/4		

The reproduction, distribution and utilization of this document as well as the communication of its contents to others without express authorization is prohibited. Offenders will be held liable for the payment of damages. All rights reserved in the event of a patent, utility model or design.

ILM38x06 SERVO KIT PCB (Interconnection Type)

Identification	Position 1			Position 2		
	Order number	Order name	Amount	Order number	Order name	Amount
ILM38x06 SERVO KIT HS VSS	286833.0102	ILM38x06 Rotor	1	309958.0100	ILM38x06 Stator HS VSS	1
ILM38x06 SERVO KIT HS VSP	286833.0102	ILM38x06 Rotor	1	313440.0100	ILM38x06 Stator HS VSP	1

ILM38x06 SERVO KIT PCB-T (Option: Temperature sensor)

Identification	Position 1			Position 2		
	Order number	Order name	Amount	Order number	Order name	Amount
ILM38x06 SERVO KIT HS VSS-T	286833.0102	ILM38x06 Rotor	1	313445.0100	ILM38x06 Stator HS VSS-T	1
ILM38x06 SERVO KIT HS VSP-T	286833.0102	ILM38x06 Rotor	1	313446.0100	ILM38x06 Stator HS VSP-T	1

ILM38x06 SERVO KIT PCB-HD (Option: Hall Digital commutation)

Identification	Position 3			Position 4		
	Order number	Order name	Amount	Order number	Order name	Amount
ILM38x06 SERVO KIT HS VSS-HD	288138.0102	ILM38x12 Rotor	1	313438.0100	ILM38x06 Stator HS VSS-HD	1
ILM38x06 SERVO KIT HS VSP-HD	288138.0102	ILM38x12 Rotor	1	313441.0100	ILM38x06 Stator HS VSP-HD	1

ILM38x06 SERVO KIT PCB-HD-T (Option: Hall Digital commutation + Temperature sensor)

Identification	Position 3			Position 4		
	Order number	Order name	Amount	Order number	Order name	Amount
ILM38x06 SERVO KIT HS VSS-HD-T	288138.0102	ILM38x12 Rotor	1	313442.0100	ILM38x06 Stator HS VSS-HD-T	1
ILM38x06 SERVO KIT HS VSP-HD-T	288138.0102	ILM38x12 Rotor	1	313444.0100	ILM38x06 Stator HS VSP-HD-T	1

Product configuration code:

ILM38x06 SERVO KIT XXX YYY - HD - T

Lamination grade:

HS High Speed

Interconnection:

VSS Star-Serial
VSP Star-Parallel



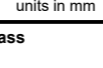
Feedback:

HD Hall Digital

Configuration:

T Temperature sensor

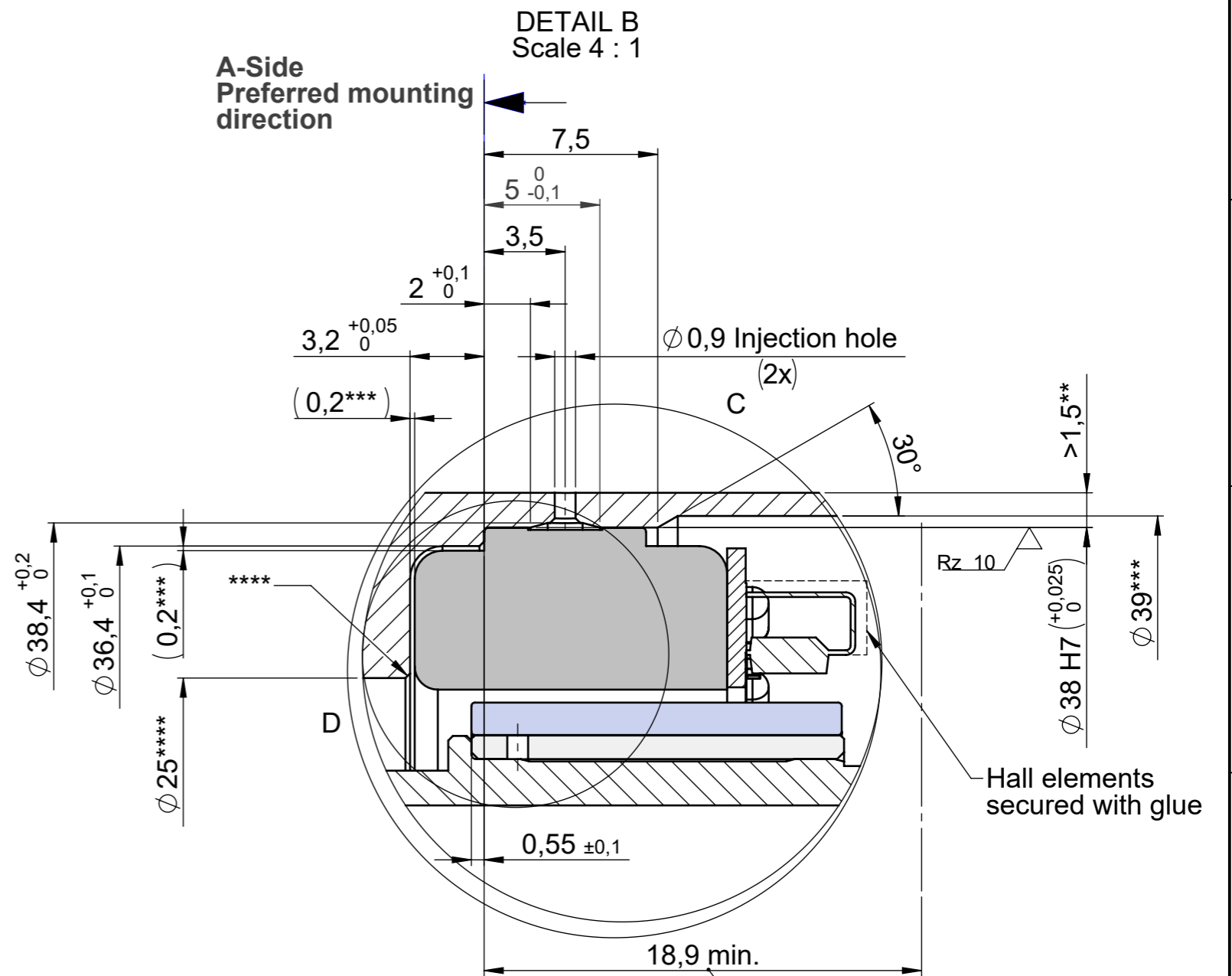
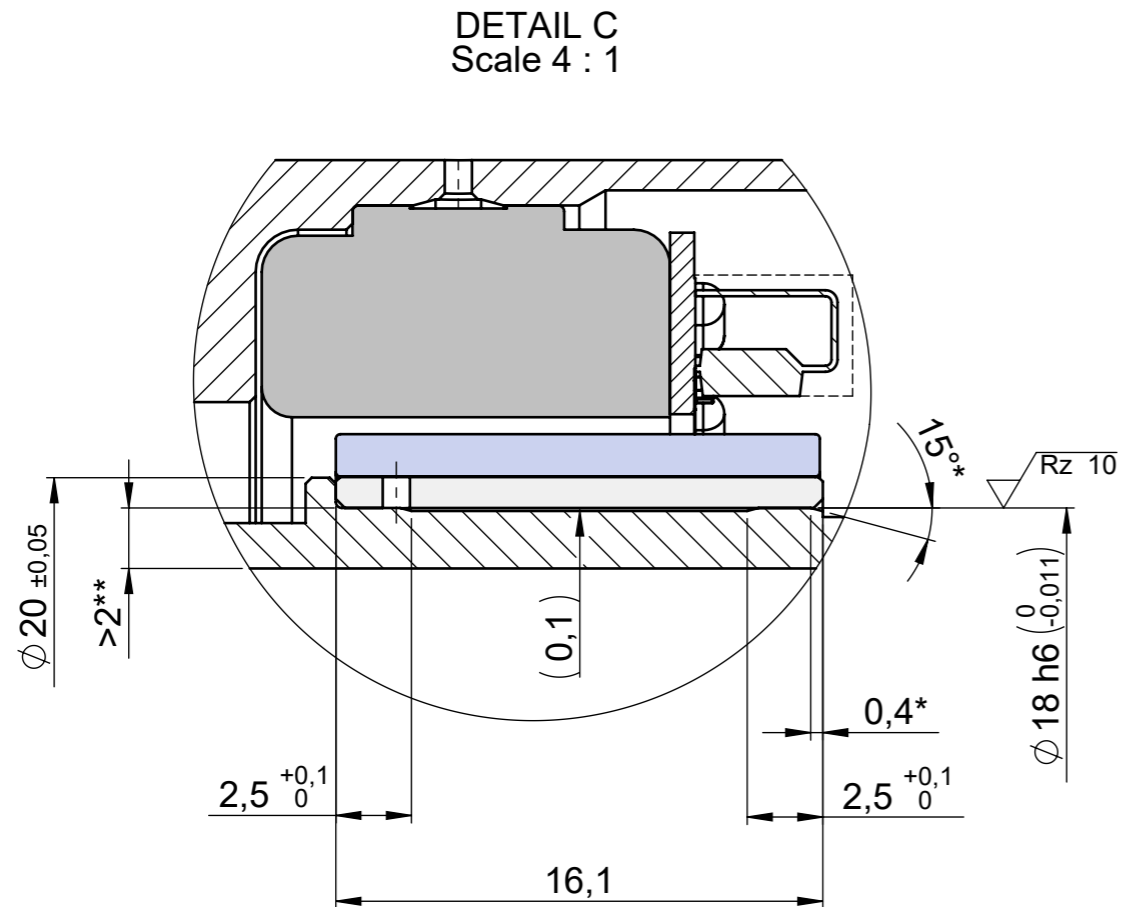
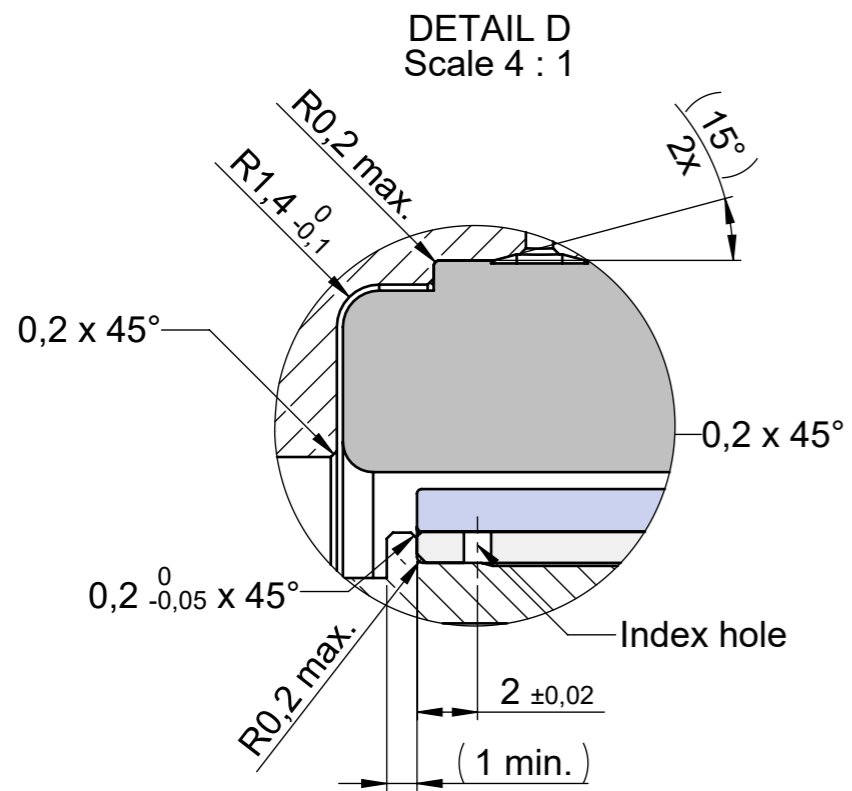
Compliant to EU-RoHS and EU-REACH, latest edition.

ECR Number		ECR Name		ECR Description		Engineering code E-00108488.04	
		Date		Name		Material	
		Prepared		10.04.2019		MeindlA	
		Checked		15.07.2019		Loos	
		ISO 8015		Approved		15.07.2019	
		Confidentially level		Scale		1:1	
Mass		Volume		Format		A3	
				Number		317924.0100	
				Rev.		Ind. Sheet	
						2/4	

Part name
**ILM38x06 SERVO KIT PCB
Info**

Number
317924.0100

The reproduction, distribution and utilization of this document as well as the communication of its contents to others without express authorization is prohibited. Offenders will be held liable for the payment of damages. All rights reserved in the event of the grant of a patent, utility model or design.





- * Recommended slip bevel
- ** Recommended wall thickness
- *** Suggested dimension for air and creeping distances (<50V) UL and NRTL certification
- **** Proposal to simplify cleaning after gluing

DIN ISO 13715

Rz 16 (✓)

Compliant to EU-RoHS and EU-REACH, latest edition.

ECR Number		ECR Name		ECR Description		Engineering code E-00108488.04			
		Date	Name	Material					
		Prepared	10.04.2019	MeindlA					
		Checked	15.07.2019	Loos	Part name ILM38x06 Einbau Stator PCB-HD / PCB-HD-T - Rotor				
 ISO 8015 DIN ISO 2768 f H		Approved	15.07.2019	Schwelle	Number			Rev.	Ind. Sheet
Mass	Volume	Confidentially level		Scale		Format		317924.0100	
		1:1		A3				4/4	