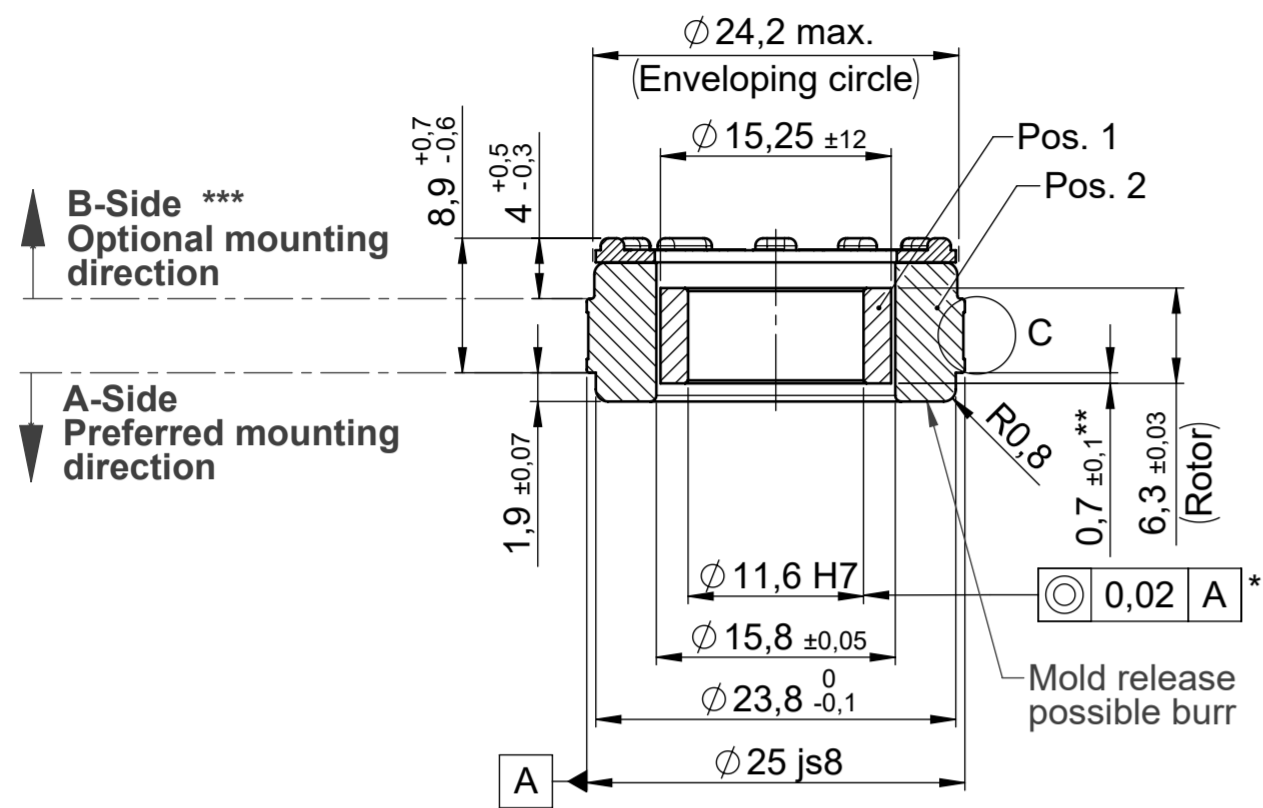


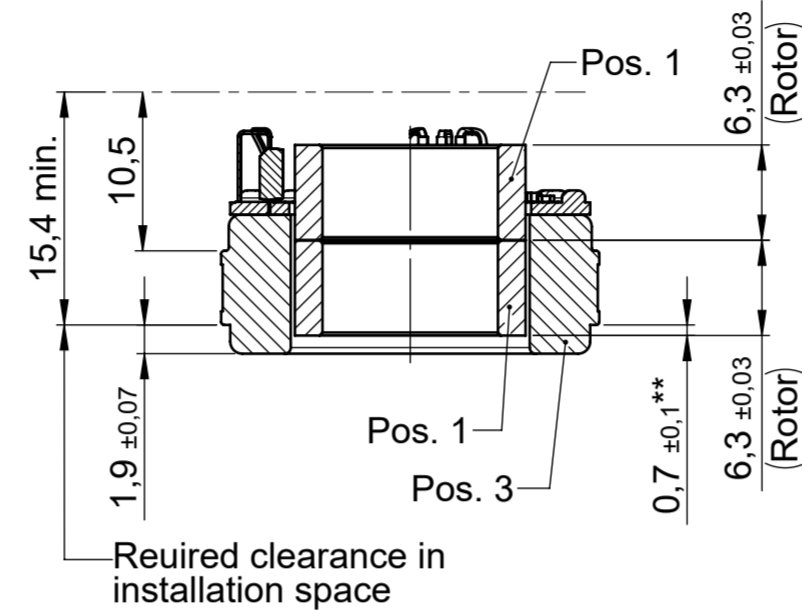
**ILM25x04 SERVO KIT PCB
ILM25x04 SERVO KIT PCB-T**

Section A-A

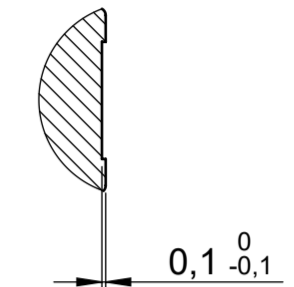
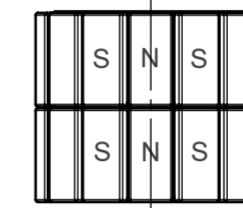


**ILM25x04 SERVO KIT PCB-HD
ILM25x04 SERVO KIT PCB-HD-T**

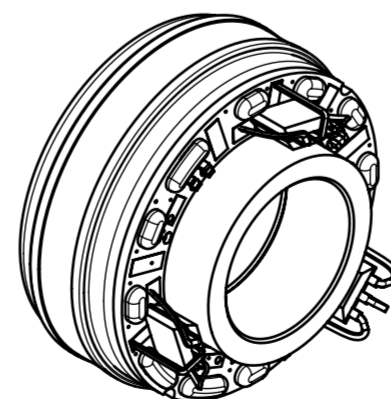
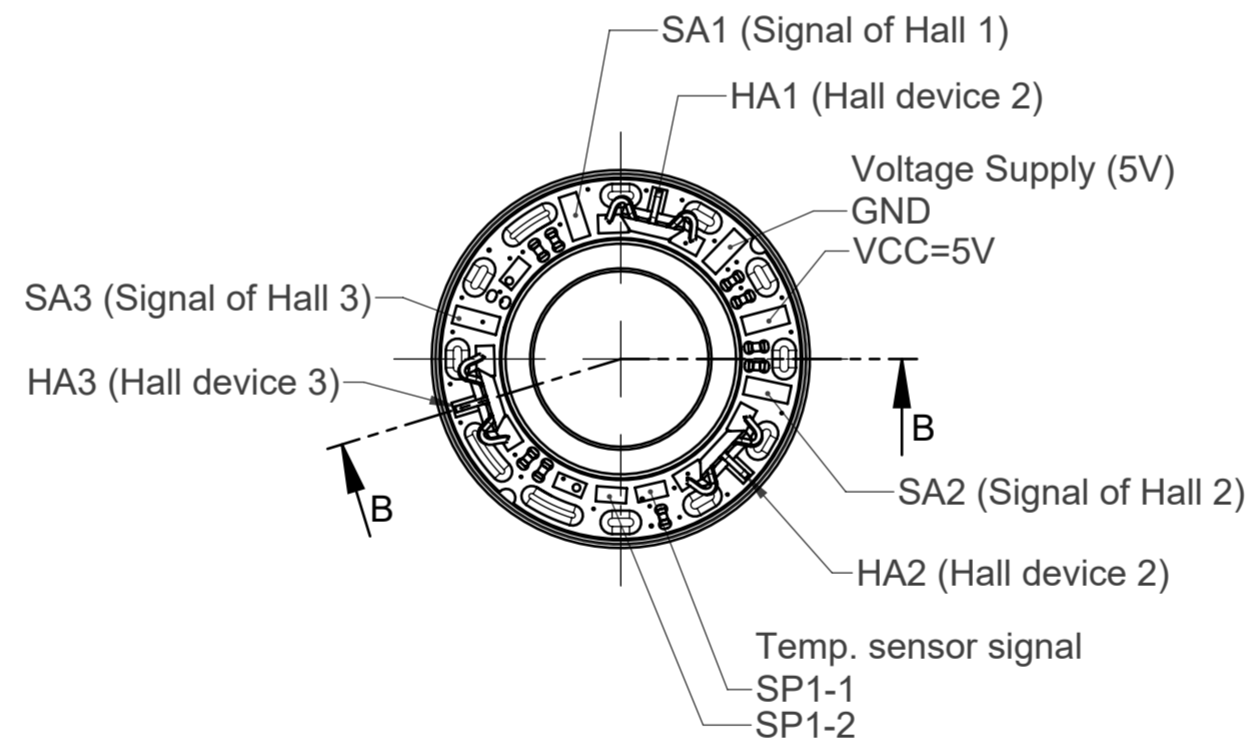
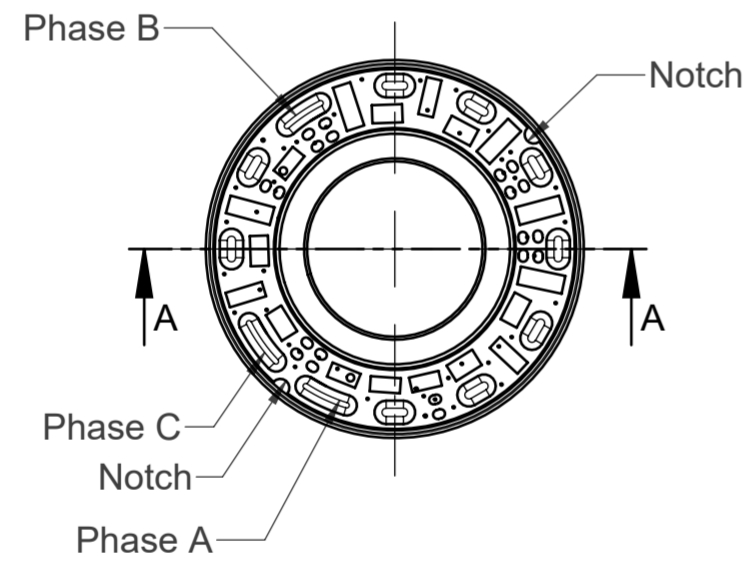
Section B-B



DETAIL C
Scale 5 : 1



Rotor:
Pay attention to the location
of the poles


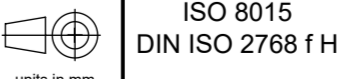


For further technical information please refer to the datasheet
DRVA_DB-ILM-Kits_ILM25x04_Rev200

- * In assembly
- ** Rotor position in relation to stator mounting edge
- *** B-Side mounting requires additional TQ design support

Housing and shaft design according to installation dimensions of
motor housing and motor shaft.

Compliance to EU-RoHS and EU-REACH, latest edition, must be warranted

ECR Number		ECR Name		ECR Description		Engineering code E-00108498.05		
		Date	Name	Material				
		Prepared	25.07.2019	MeindlA				
		Checked	08.01.2020	Salzseller	Part name ILM25x04 SERVO KIT PCB			
		Approved	08.01.2020	Loos	Info			
units in mm		Confidentiality level		Number		Rev.	Ind. Sheet	
Mass	Volume	Scale	2:1	Format	A2	317921.0100		
						1/4		

The reproduction, distribution and utilization of this document as well as the communication of its contents to others without express authorization is prohibited. Offenders will be held liable for the payment of damages. All rights reserved in the event of a patent, utility model or design.

ILM25x04 SERVO KIT PCB (Interconnection Type)

Identification	Position 1			Position 2		
	Order number	Order name	Amount	Order number	Order name	Amount
ILM25x04 SERVO KIT HS VSS	286830.0102	ILM25x04 Rotor	1	306317.0100	ILM25x04 Stator HS VSS	1
ILM25x04 SERVO KIT HS VSP	286830.0102	ILM25x04 Rotor	1	313414.0100	ILM25x04 Stator HS VSP	1

ILM25x04 SERVO KIT PCB-T (Option: Temperature sensor)

Identification	Position 1			Position 2		
	Order number	Order name	Amount	Order number	Order name	Amount
ILM25x04 SERVO KIT HS VSS-T	286830.0102	ILM25x04 Rotor	1	311785.0100	ILM25x04 Stator HS VSS-T	1
ILM25x04 SERVO KIT HS VSP-T	286830.0102	ILM25x04 Rotor	1	311936.0100	ILM25x04 Stator HS VSP-T	1

ILM25x04 SERVO KIT PCB-HD (Option: Hall Digital commutation)

Identification	Position 1			Position 3		
	Order number	Order name	Amount	Order number	Order name	Amount
ILM25x04 SERVO KIT HS VSS-HD	286830.0102	ILM25x04 Rotor	2	305548.0100	ILM25x04 Stator HS VSS-HD	1
ILM25x04 SERVO KIT HS VSP-HD	286830.0102	ILM25x04 Rotor	2	313330.0100	ILM25x04 Stator HS VSP-HD	1

ILM25x04 SERVO KIT PCB-HD-T (Option: Hall Digital commutation + Temperature sensor)

Identification	Position 1			Position 3		
	Order number	Order name	Amount	Order number	Order name	Amount
ILM25x04 SERVO KIT HS VSS-HD-T	286830.0102	ILM25x04 Rotor	2	313420.0100	ILM25x04 Stator HS VSS-HD-T	1
ILM25x04 SERVO KIT HS VSP-HD-T	286830.0102	ILM25x04 Rotor	2	313421.0100	ILM25x04 Stator HS VSP-HD-T	1

Product configuration code:

ILM25x04 SERVO KIT XXX YYY - HD - T

Lamination grade:

HS High Speed

Interconnection:

VSS Star-Serial
VSP Star-Parallel


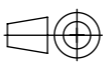
Feedback:

HD Hall Digital

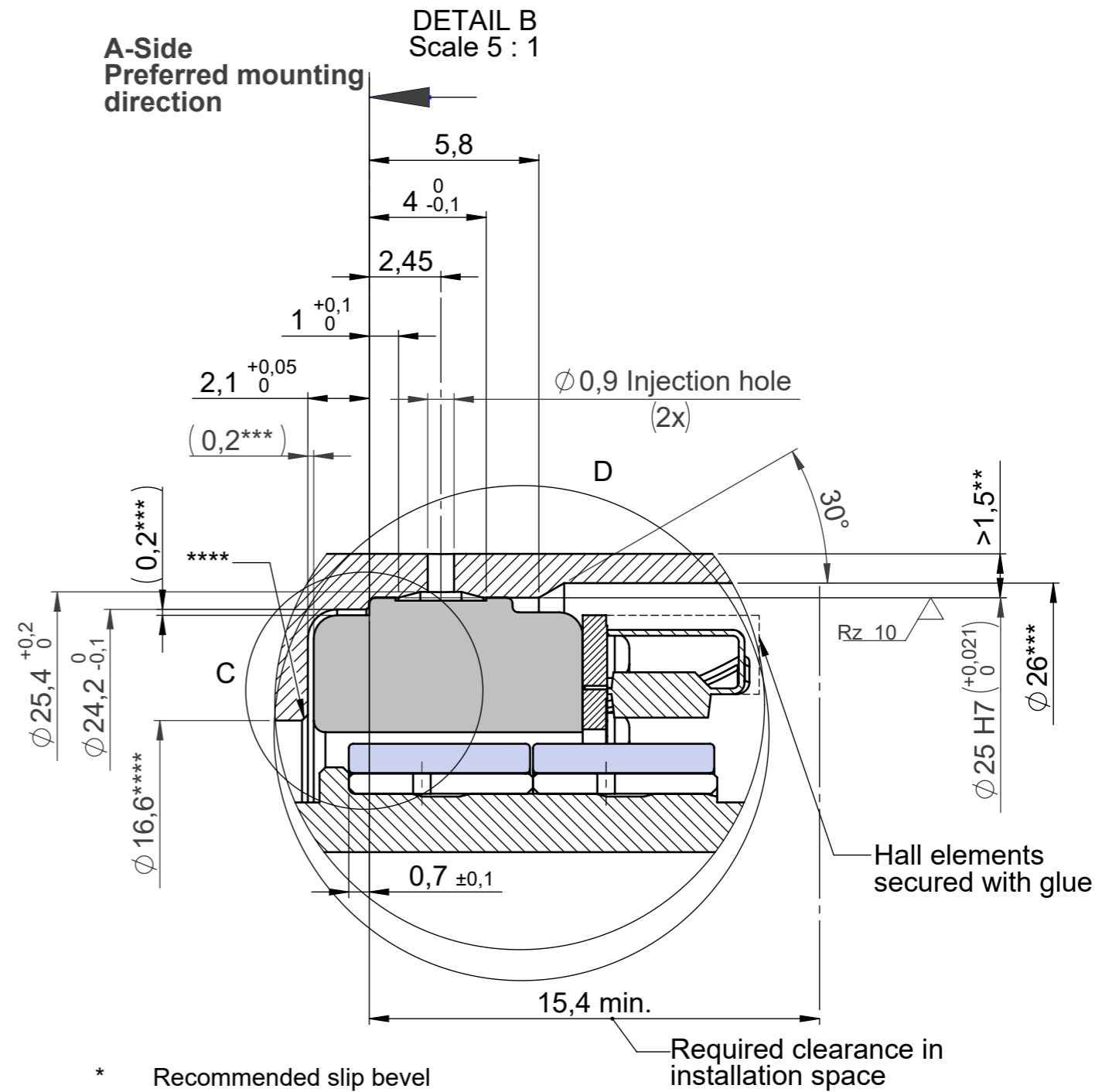
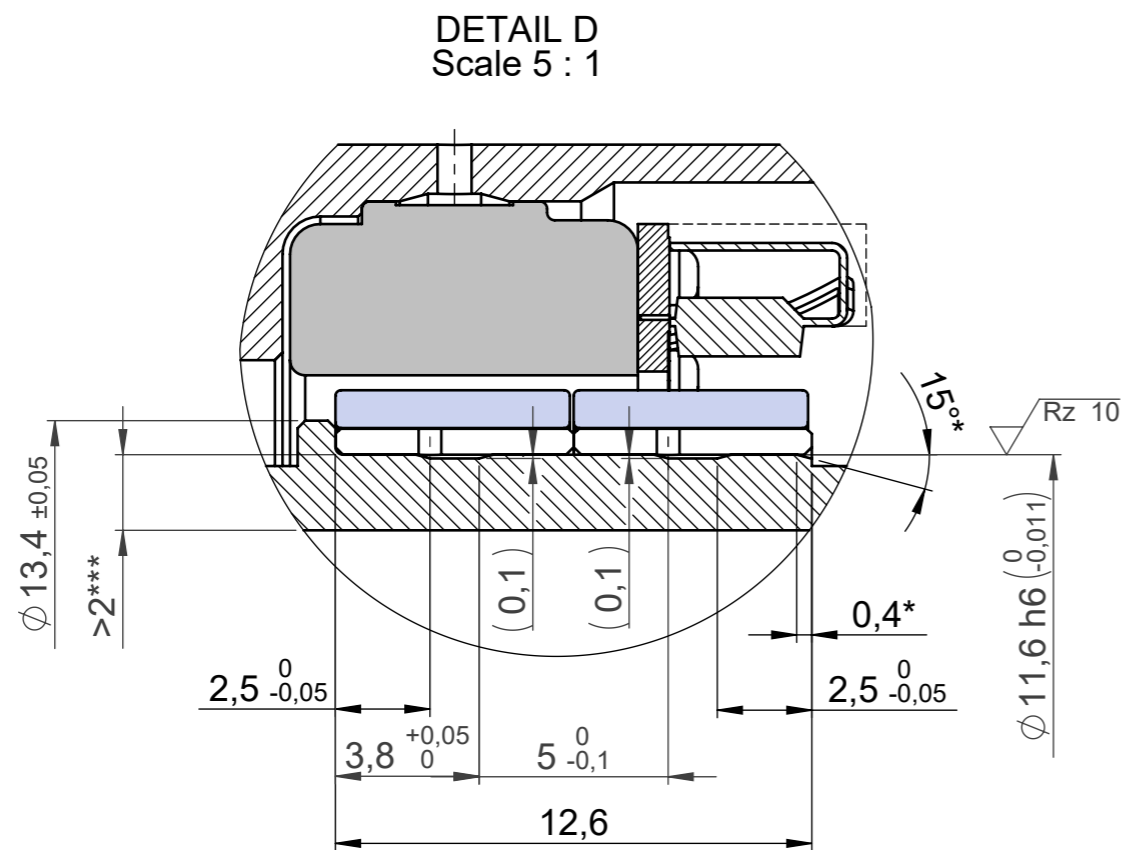
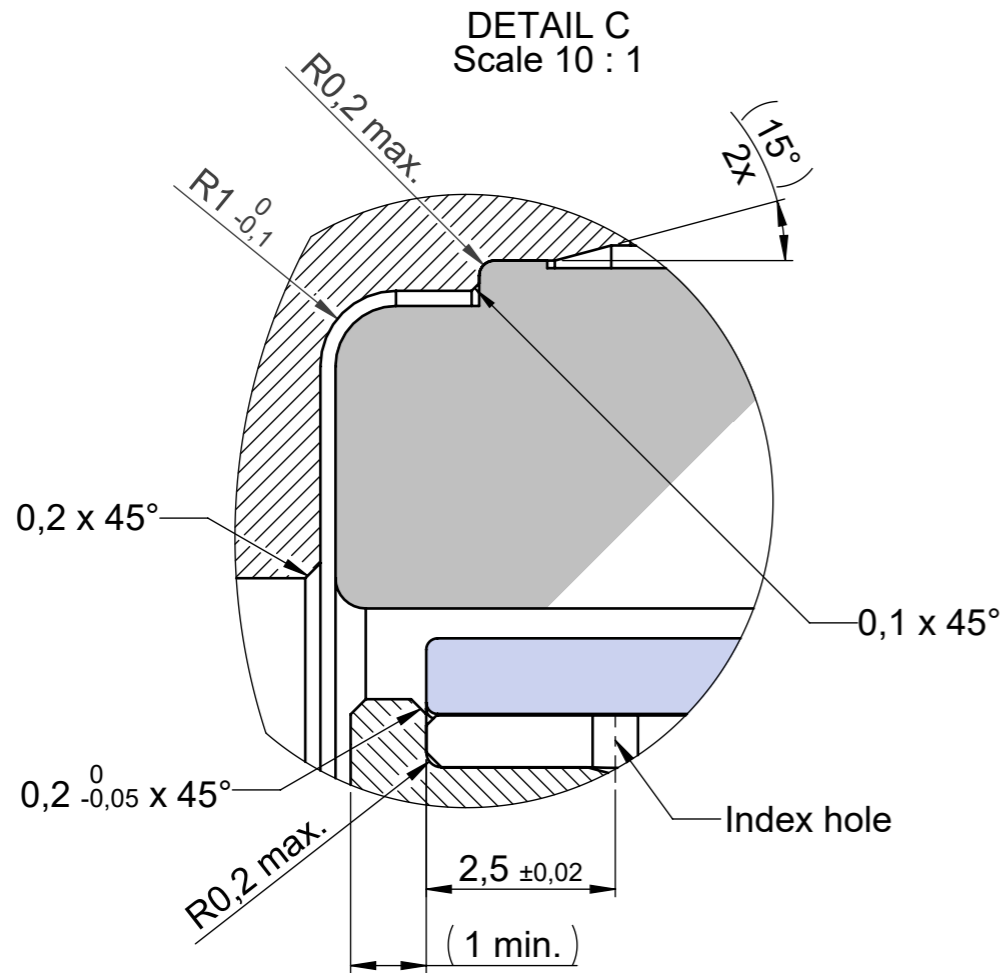
Configuration:

T Temperature sensor

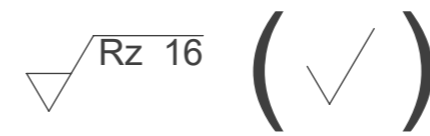
Compliant to EU-RoHS and EU-REACH, latest edition.

ECR Number		ECR Name		ECR Description		Engineering code E-00108498.05	
		Date		Name		Material	
		Prepared		Checked		Part name	
		25.07.2019		08.01.2020		ILM25x04 SERVO KIT PCB	
		ISO 8015		Approved		Info	
units in mm		Confidentially level		Number		Rev. Ind. Sheet	
Mass		Volume		Scale 1:1		317921.0100	
				Format A3		2/4	



The reproduction, distribution and utilization of this document as well as the communication of its contents to others without express authorization is prohibited. Offenders will be held liable for the payment of damages. All rights reserved in the event of a patent, utility model or design.



- * Recommended slip bevel
- ** Recommended wall thickness
- *** Suggested dimension for air and creeping distances (<50V) UL and NRTL certification
- **** Proposal to simplify cleaning after gluing



DIN ISO 13715 $\begin{matrix} -0,3 \\ -0,1 \end{matrix}$ $\begin{matrix} +0,3 \\ +0,1 \end{matrix}$
 Compliance to EU-RoHS and EU-REACH, latest edition, must be warranted

ECR Number		ECR Name			ECR Description			Engineering code E-00108498.05		
		Date		Name		Material				
		Prepared		25.07.2019		MeindlA				
		Checked		08.01.2020		Salzseiler		Part name ILM25x04 Einbau Stator PCB-HD / PCB-HD-T - Rotor		
Approved		08.01.2020		Loos						
 units in mm		ISO 8015 DIN ISO 2768 f H			Confidentially level		Number		Rev.	Ind. Sheet
Mass	Volume	Scale		1:1		Format		A3		
						317921.0100		4/4		