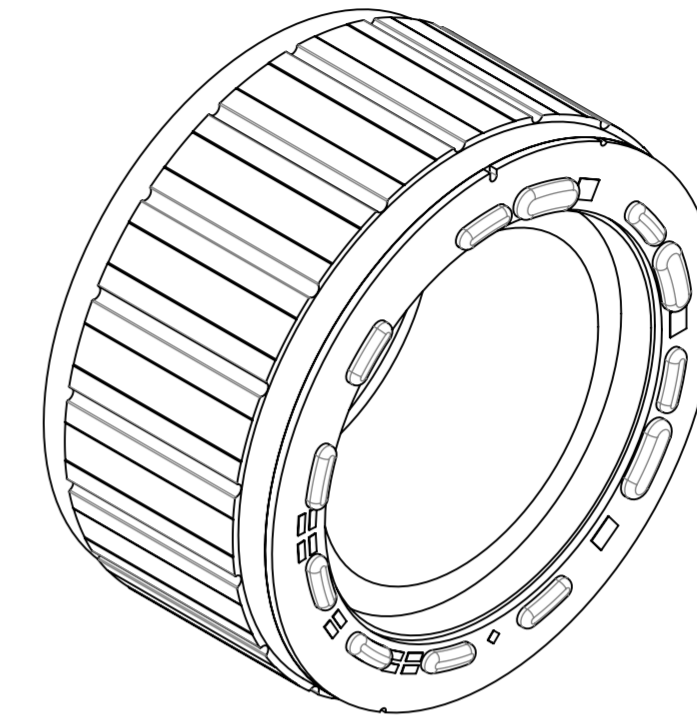
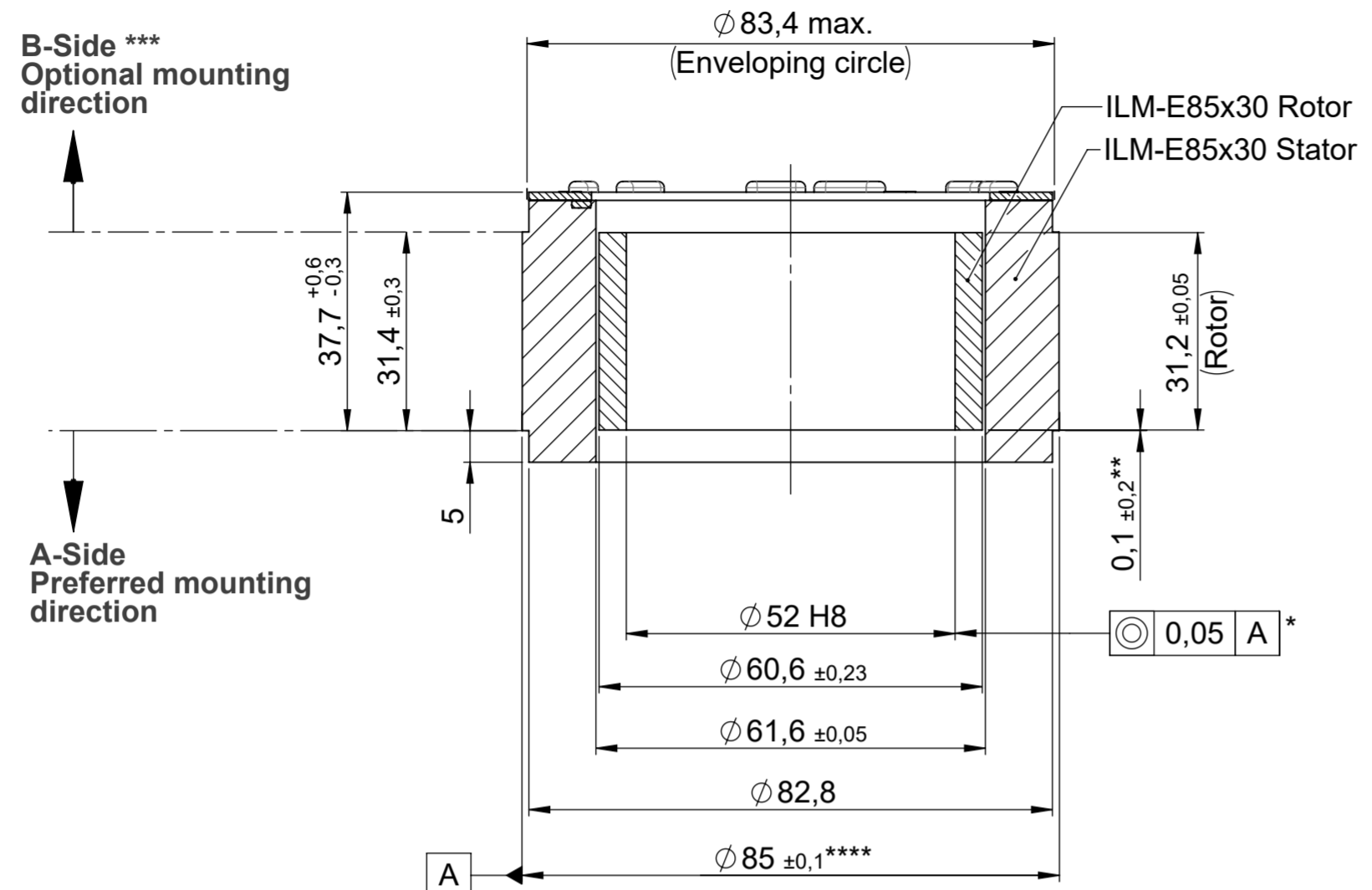


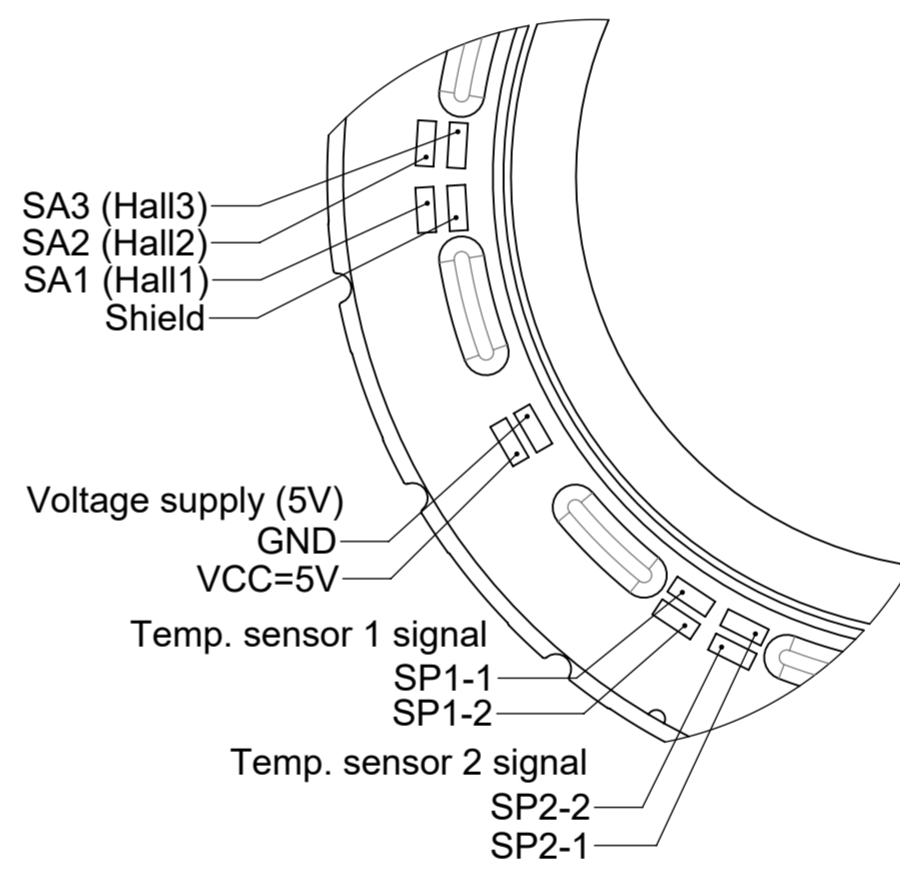
The reproduction, distribution and utilization of this document as well as the communication of its contents to others without express authorization is prohibited. Offenders will be held liable for the payment of damages. All rights reserved in the event of the grant of a patent, utility model or design.

ILM-E85x30 SERVO KIT PCB

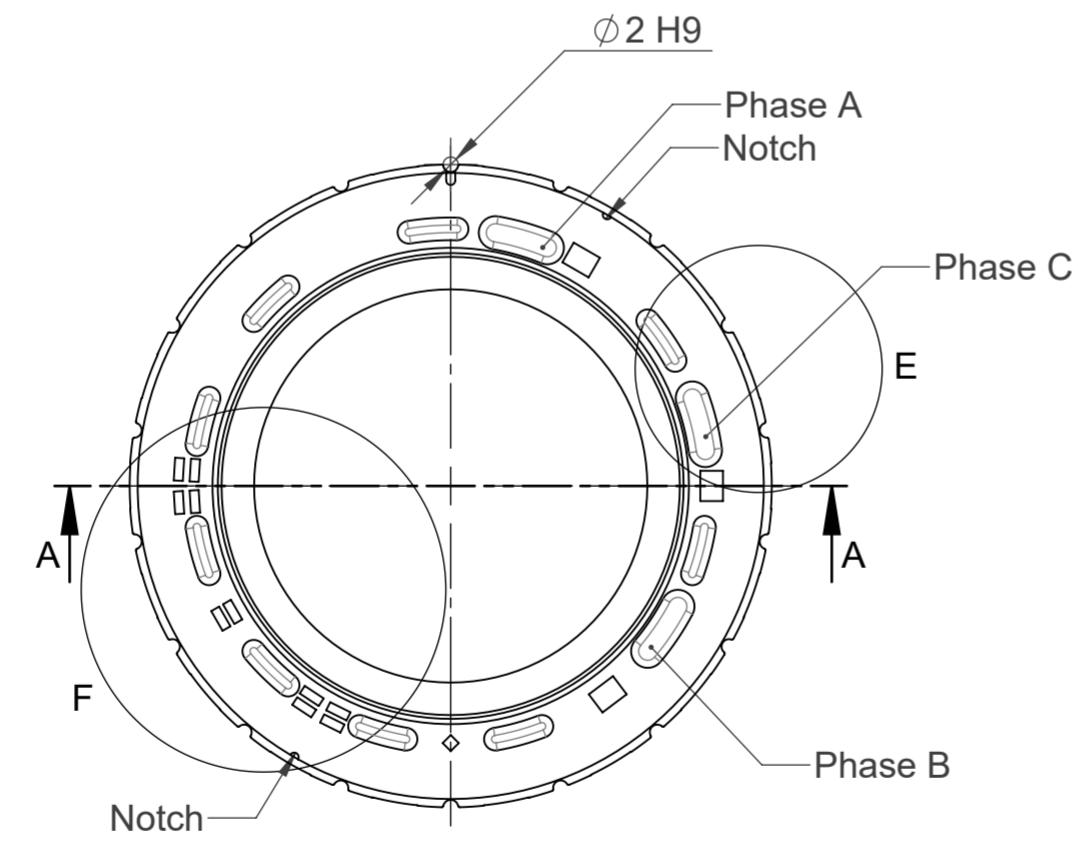
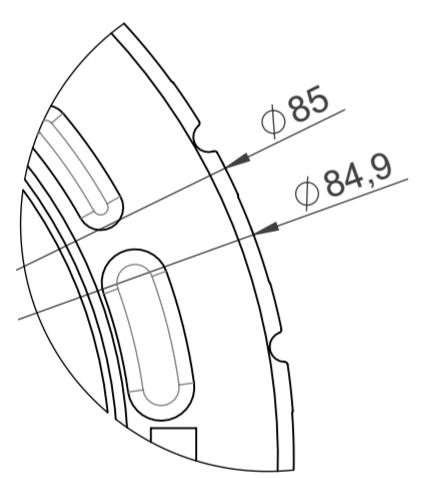
Section A-A



DETAIL F
Scale 2 : 1



DETAIL E
Scale 2 : 1



- * In assembly
- ** Rotor position in relation to stator mounting edge
- *** B-Side mounting requires additional TQ design support
- **** Please assume a Ø85 (+0,085/-0,005) fit for the calculation of the press fit

Housing and shaft design according to installation dimensions of motor housing and motor shaft.

Use aluminium housing for integration of the stator.

Compliance to EU-RoHS and EU-REACH, latest edition, must be warranted

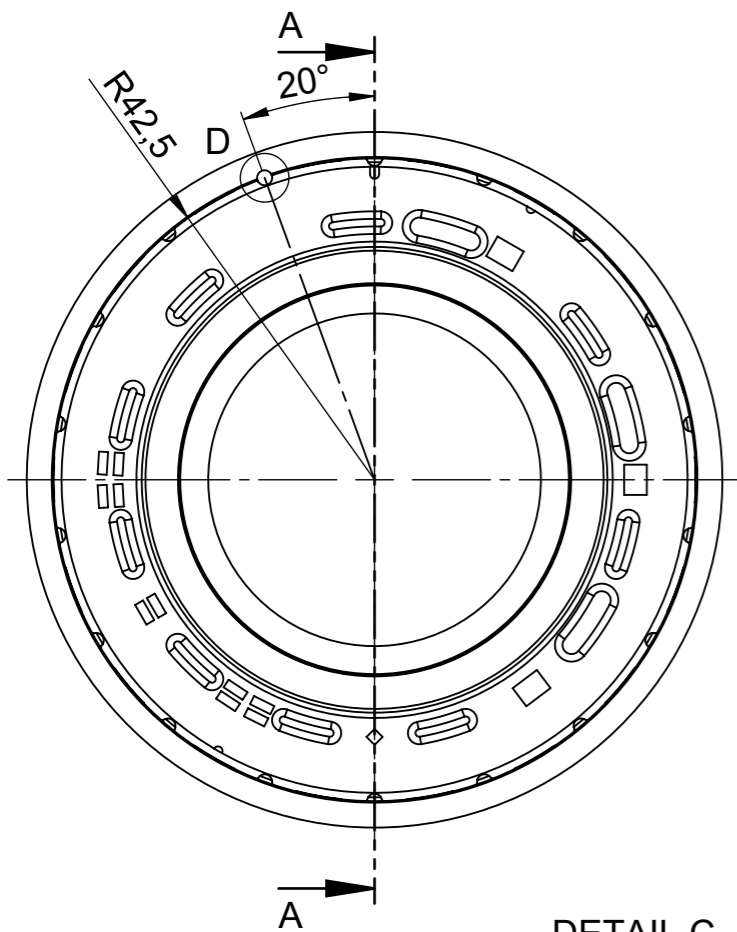
ILM-E85x30 SERVO KIT PCB (Interconnection Type)

Identification	Position 1			Position 2		
	Order number	Order name	Amount	Order number	Order name	Amount
ILM-E85x30 SERVO KIT STD VSS	332555.0100	ILM-E85x30 Rotor	1	332817.0100	ILM-E85x30 Stator VSS HALL	1
ILM-E85x30 SERVO KIT STD VSP	332555.0100	ILM-E85x30 Rotor	1	332818.0100	ILM-E85x30 Stator VSP HALL	1
ILM-E85x30 SERVO KIT STD VDS	332555.0100	ILM-E85x30 Rotor	1	332819.0100	ILM-E85x30 Stator VDS HALL	1

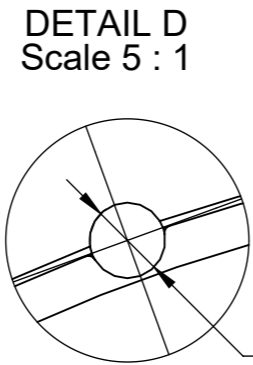
Note: Please refer to 3D CAD model for missing dimensions and specifications

ECR Number		ECR Name MeindIA		ECR Description Blatt 2: Gehäusepassung von V7 auf U6 angepasst.		Engineering code E-00138394.02		
		Date	Name	Material				
		Prepared	07.09.2020	MeindIA				
		Checked	21.10.2021	StockM	Part name ILM-E85x30 SERVO KIT PCB INFO			
		Confidentiality level		Number		Rev.		
Scale		1:1		Format		A2		
Mass	134.19g	Volume	134.78cm³	330816.0100		1/2		

The reproduction, distribution and utilization of this document as well as the communication of its contents to others without express authorization is prohibited. Offenders will be held liable for the payment of damages. All rights reserved in the event of the grant of a patent, utility model or design.



DETAIL C
Scale 3 : 1

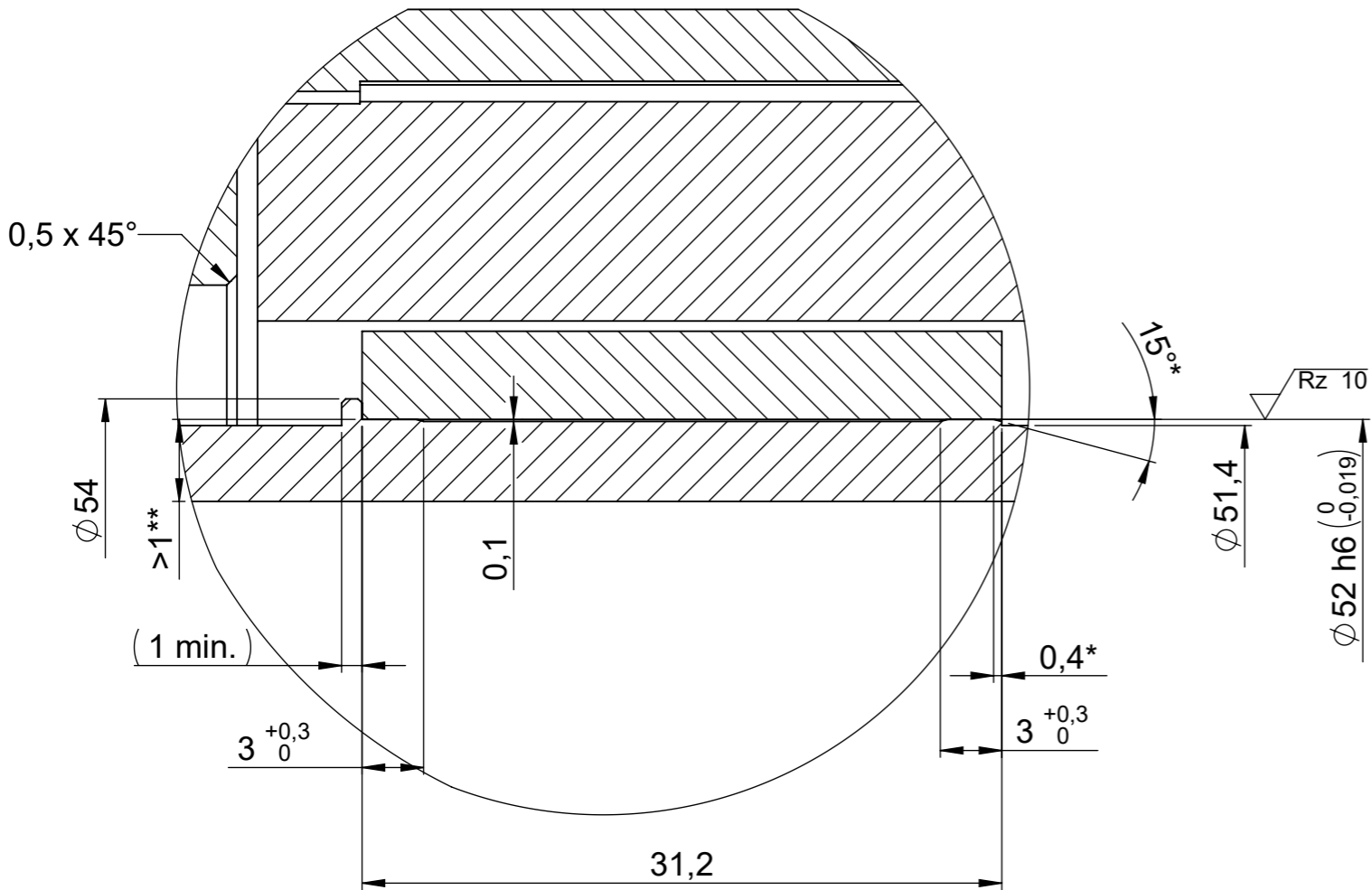
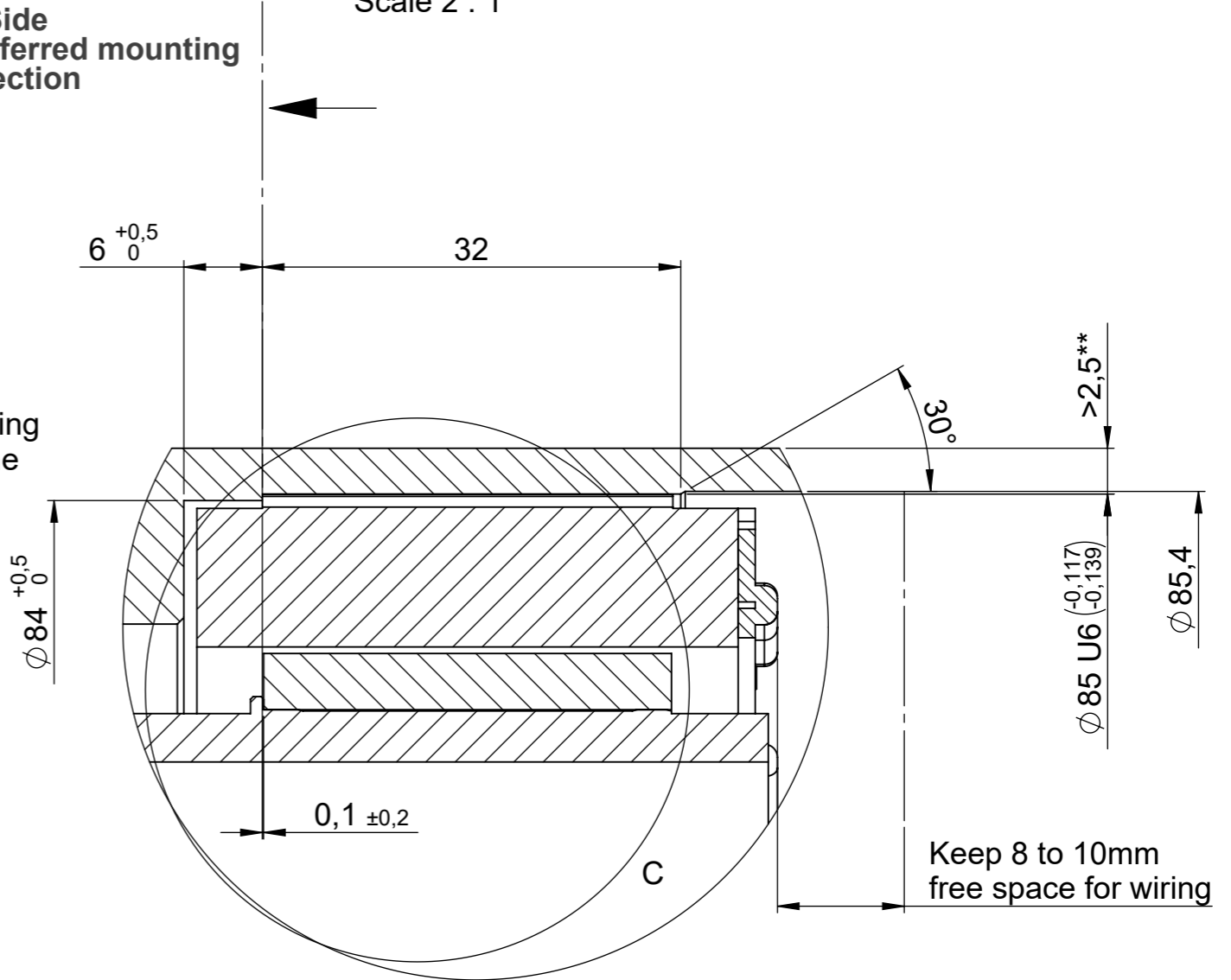


DETAIL D
Scale 5 : 1

$\phi 2 \text{ H9 } \begin{matrix} (+0,025) \\ 0 \end{matrix}$
 $\begin{matrix} \phi \\ 0,1 \end{matrix}$
 Hole for positioning and fixation of the stator

A-Side
Preferred mounting
direction

DETAIL B
Section A-A
Scale 2 : 1



- * Recommended silp bevel
- ** Recommended wall thickness >2,5mm

Rz 16 (✓) Rz 10

DIN ISO 13715 $\begin{matrix} -0,3 \\ -0,1 \end{matrix}$ $\begin{matrix} +0,3 \\ +0,1 \end{matrix}$

Compliance to EU-RoHS and EU-REACH, latest edition, must be warranted

ECR Number		ECR Name MeindIA		ECR Description Blatt 2: Gehäusepassung von V7 auf U6 angepasst.		Engineering code E-00138394.02	
	Prepared	07.09.2020	MeindIA	Material			
	Checked	21.10.2021	StockM	Part name ILM-E85x30 Einbau Stator PCB - Rotor			
	Approved			Number 330816.0100			
ISO 8015 DIN ISO 2768 f H		Confidentially level		Scale 1:1		Format A3	
Mass	Volume	Ind. Sheet 2/2		Rev.			