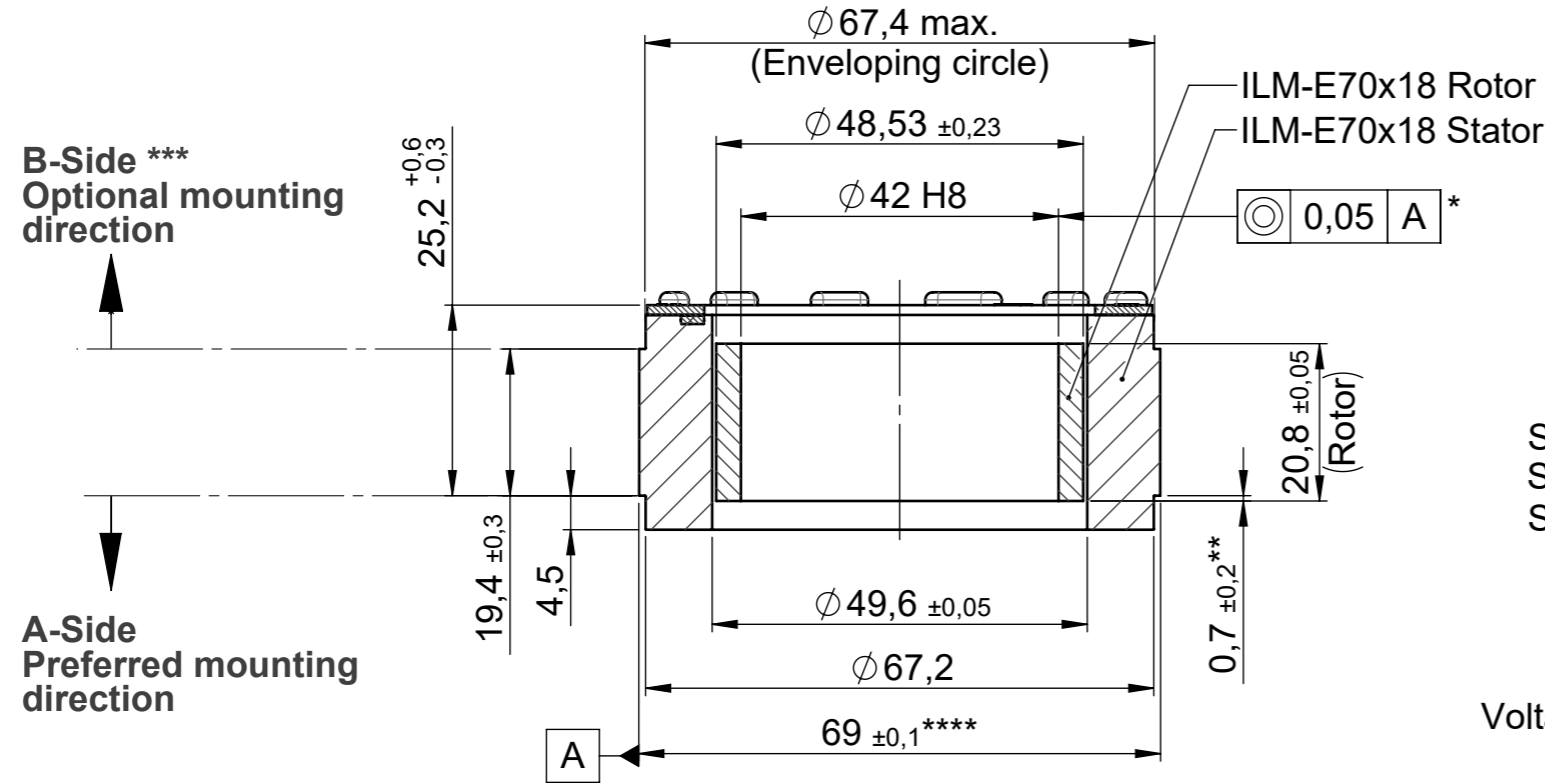


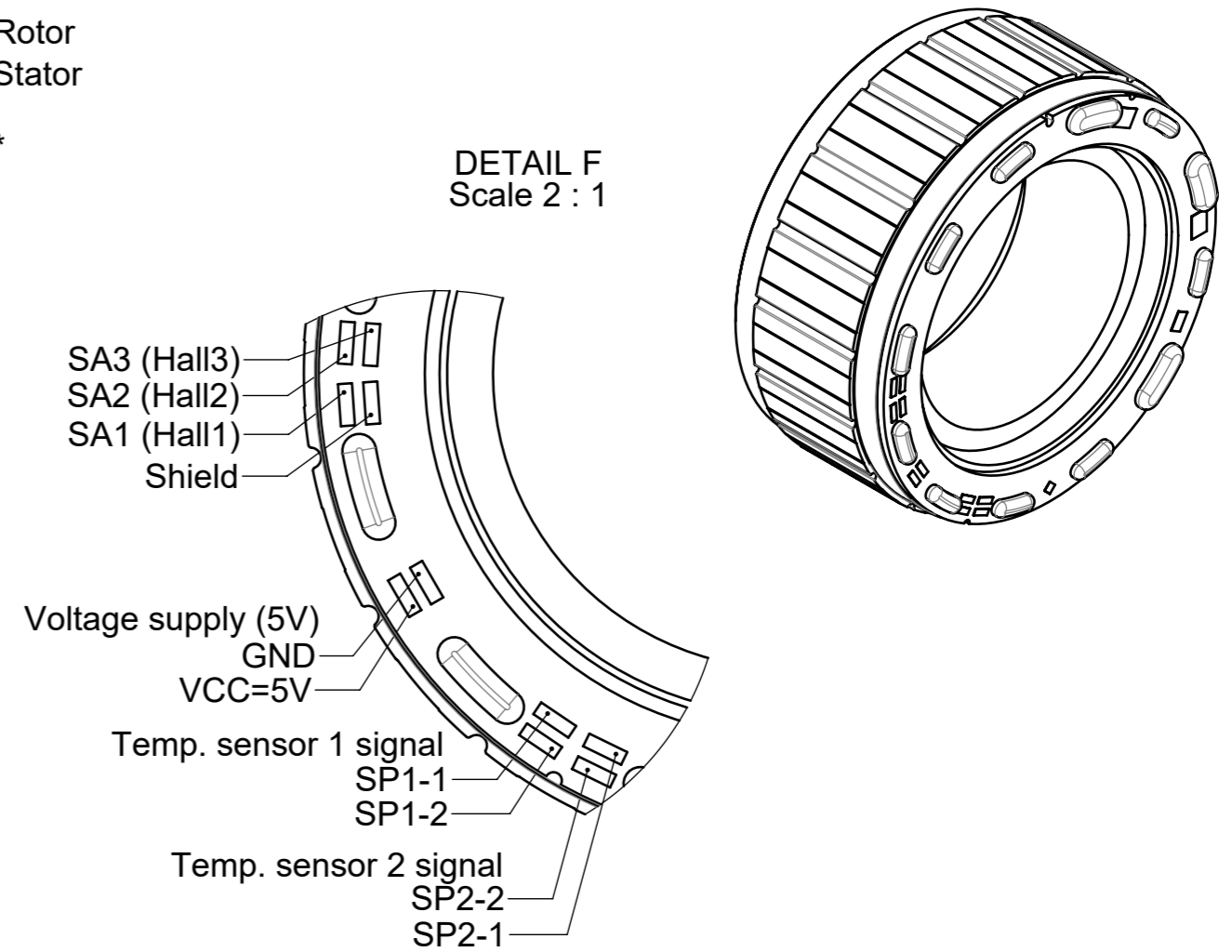
The reproduction, distribution and utilization of this document as well as the communication of its contents to others without express authorization is prohibited. Offenders will be held liable for the payment of damages. All rights reserved in the event of a patent, utility model or design.

ILM-E70x18 SERVO KIT PCB

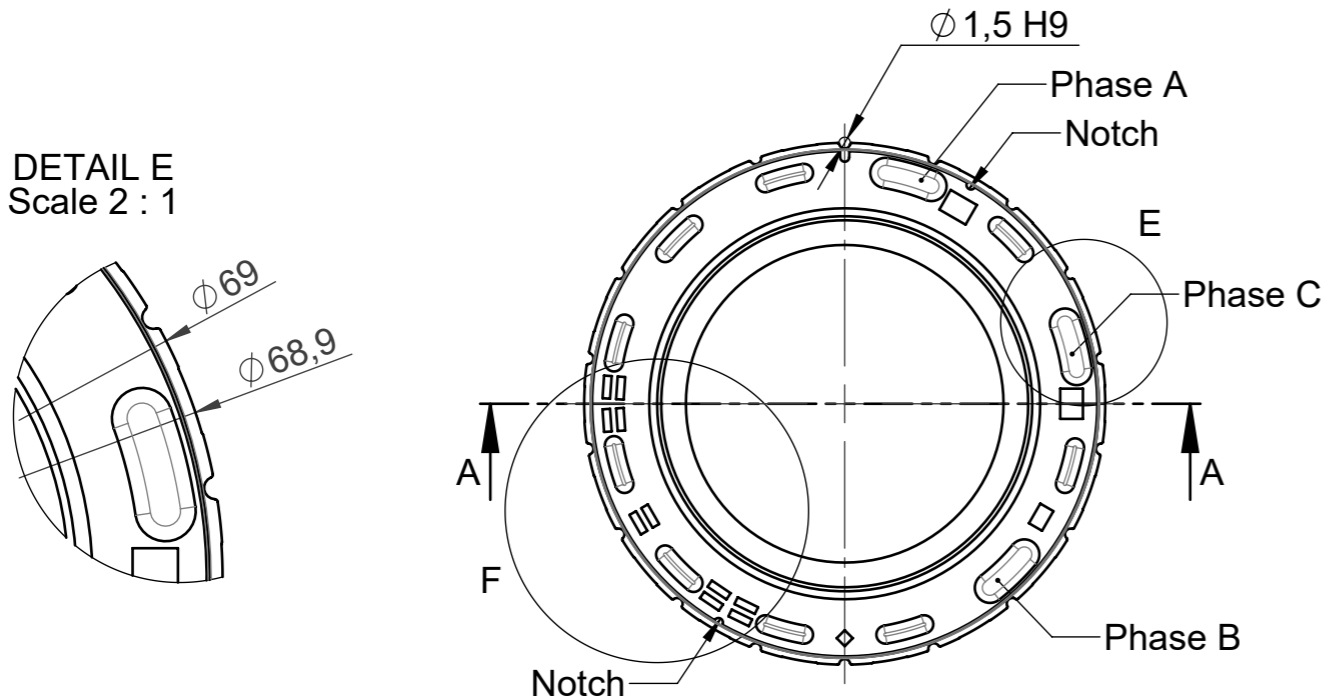
Section A-A



DETAIL F
Scale 2 : 1



DETAIL E
Scale 2 : 1



- * In assembly
- ** Rotor position in relation to stator mounting edge
- *** B-Side mounting requires additional TQ design support
- **** Please assume a js8 fit for the calculation of the press fit

Housing and shaft design according to installation dimensions of motor housing and motor shaft.


Use aluminium housing for integration of the stator.

Compliance to EU-RoHS and EU-REACH, latest edition, must be warranted

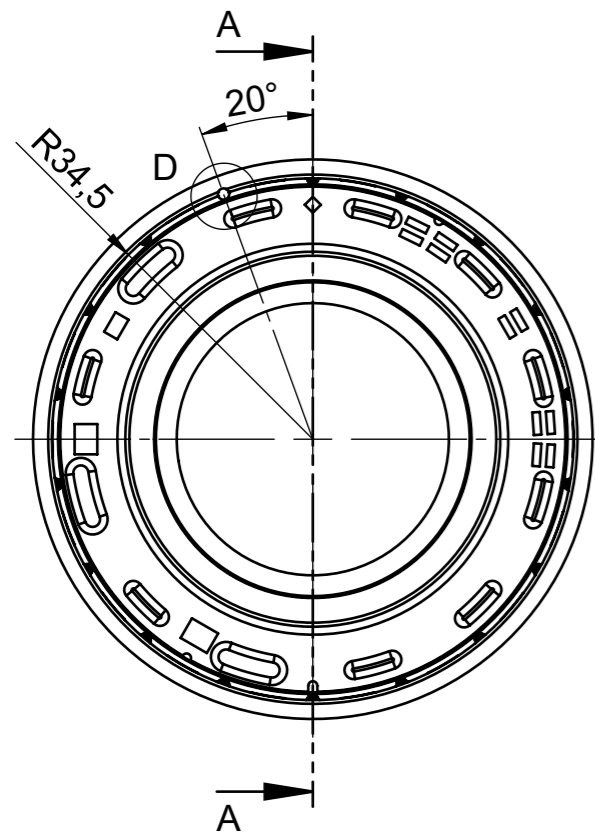
ILM-E70x18 SERVO KIT PCB (Interconnection Type)

Identification	Position 1			Position 2		
	Order number	Order name	Amount	Order number	Order name	Amount
ILM-E70x18 SERVO KIT STD VSS	332529.0100	ILM-E70x18 Rotor	1	332802.0100	ILM-E70x18 Stator VSS HALL	1
ILM-E70x18 SERVO KIT STD VSP	332529.0100	ILM-E70x18 Rotor	1	332803.0100	ILM-E70x18 Stator VSP HALL	1
ILM-E70x18 SERVO KIT STD VDS	332529.0100	ILM-E70x18 Rotor	1	332804.0100	ILM-E70x18 Stator VDS HALL	1

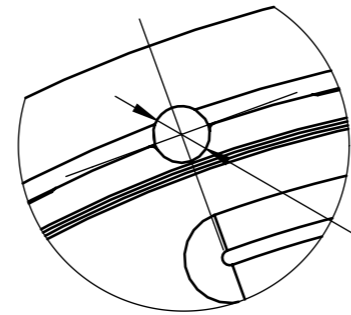
Note: Please refer to 3D CAD model for missing dimensions and specifications

ECR Number	ECR Name MeindIA	ECR Description Blatt 2: Gehäusepassung von V7 auf U6 angepasst.	Engineering code E-00135037.01
 ISO 8015 DIN ISO 2768 f H units in mm	Prepared	Date 01.04.2020	Name MeindIA
	Checked	Date 03.11.2021	Name StampfIM
	Approved		
	Confidentially level		
Mass	Volume	Scale 1:1	Format A3
Part name ILM-E70x18 SERVO KIT PCB INFO			Number 329461.0100
		Rev.	Ind. Sheet 1/2

The reproduction, distribution and utilization of this document as well as the communication of its contents to others without express authorization is prohibited. Offenders will be held liable for the payment of damages. All rights reserved in the event of the grant of a patent, utility model or design.



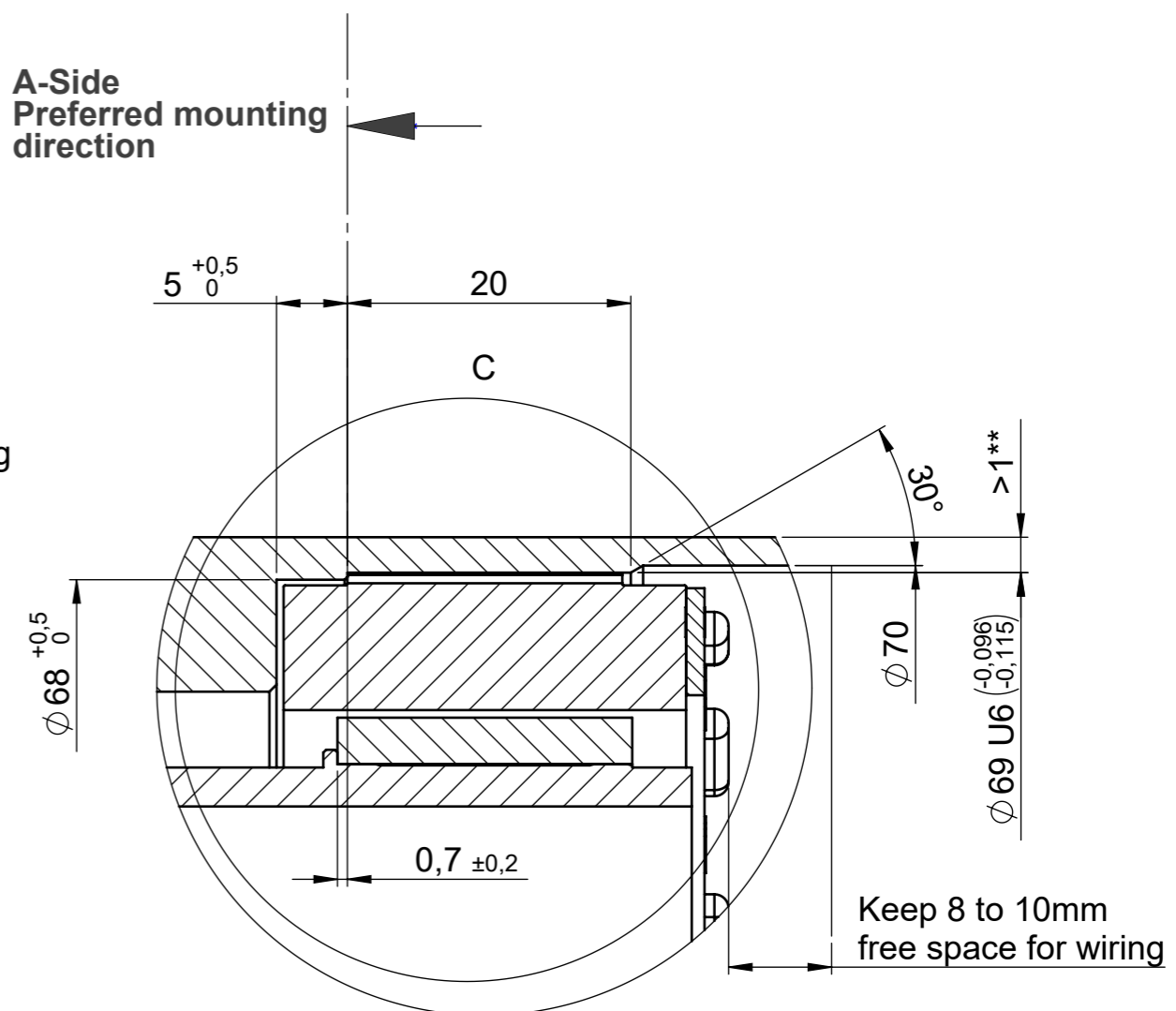
DETAIL D
Scale 5 : 1



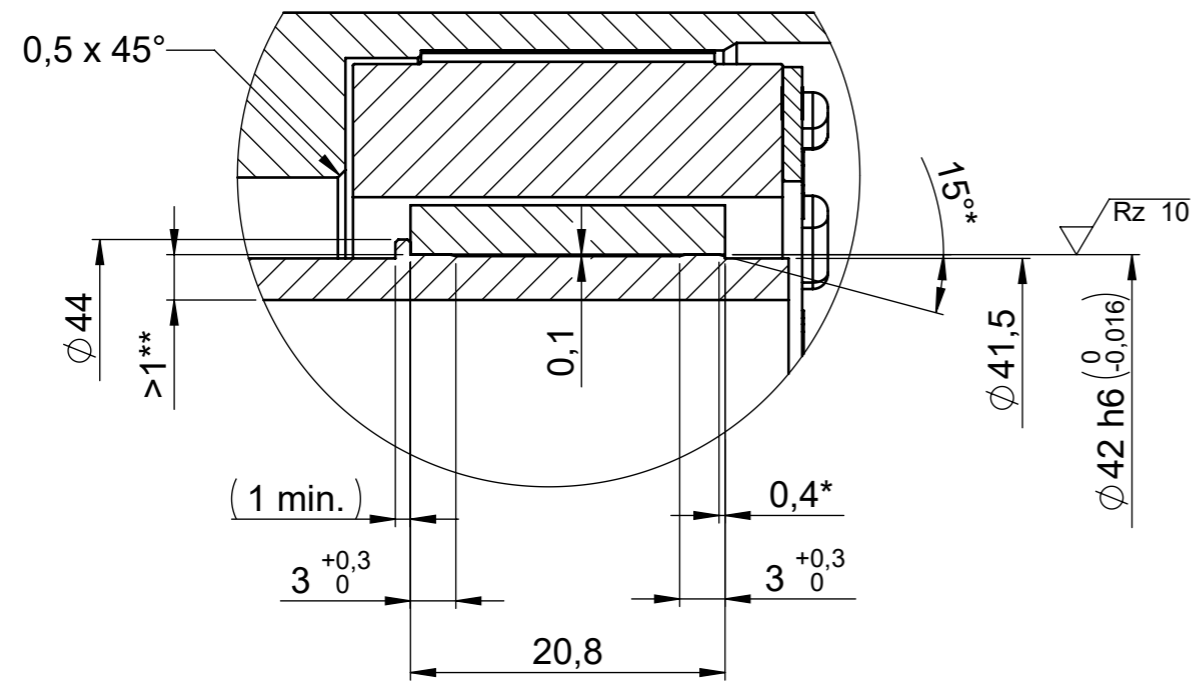
$\phi 1,5 H9 \begin{matrix} +0,025 \\ 0 \end{matrix}$
 $\phi 0,1$
 Hole for positioning
 and fixation of the
 stator

DETAIL B
Section A-A
Scale 2 : 1

A-Side
Preferred mounting
direction

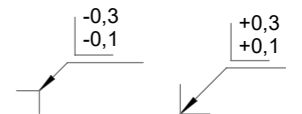
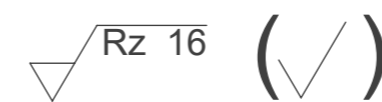


DETAIL C
Scale 2 : 1





* Recommended silp bevel
 ** Recommended wall thickness >1mm

DIN ISO 13715



Compliance to EU-RoHS and EU-REACH, latest edition, must be warranted

ECR Number		ECR Name MeindIA		ECR Description Blatt 2: Gehäusepassung von V7 auf U6 angepasst.		Engineering code E-00135037.01	
		Date		Name		Material	
		Prepared		Checked		Part name	
		01.04.2020		03.11.2021		ILM-E70x18 Einbau Stator PCB - Rotor	
 ISO 8015 DIN ISO 2768 f H units in mm		Confidentially level		Number		Rev.	
Mass		Volume		Scale		Ind. Sheet	
				1:1		2/2	
				Format		329461.0100	
				A3			