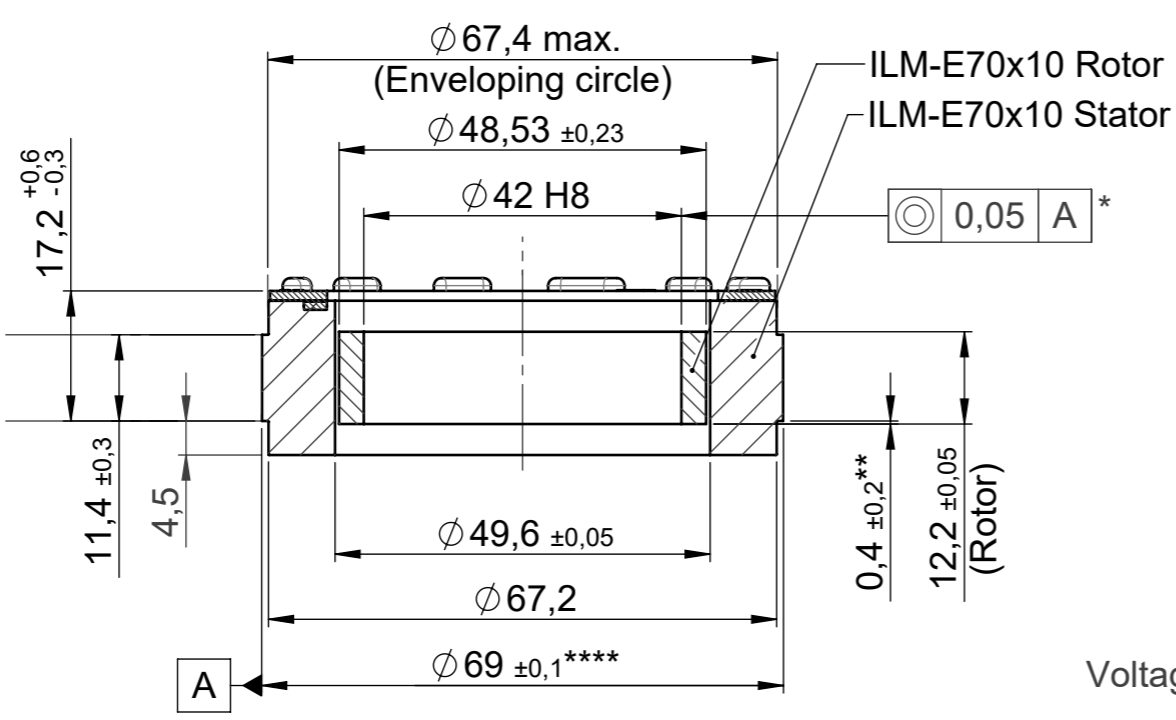


ILM-E70x10 SERVO KIT PCB

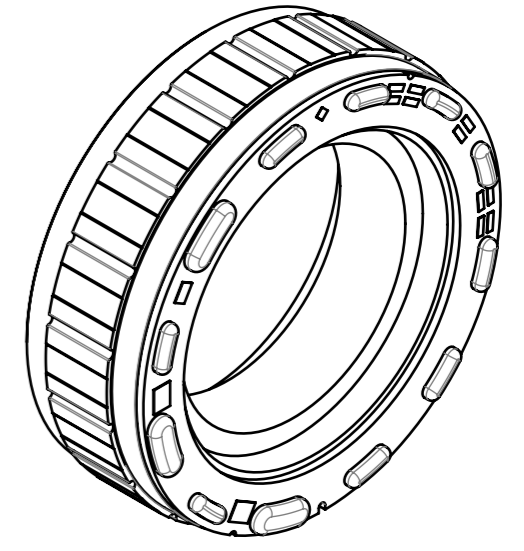
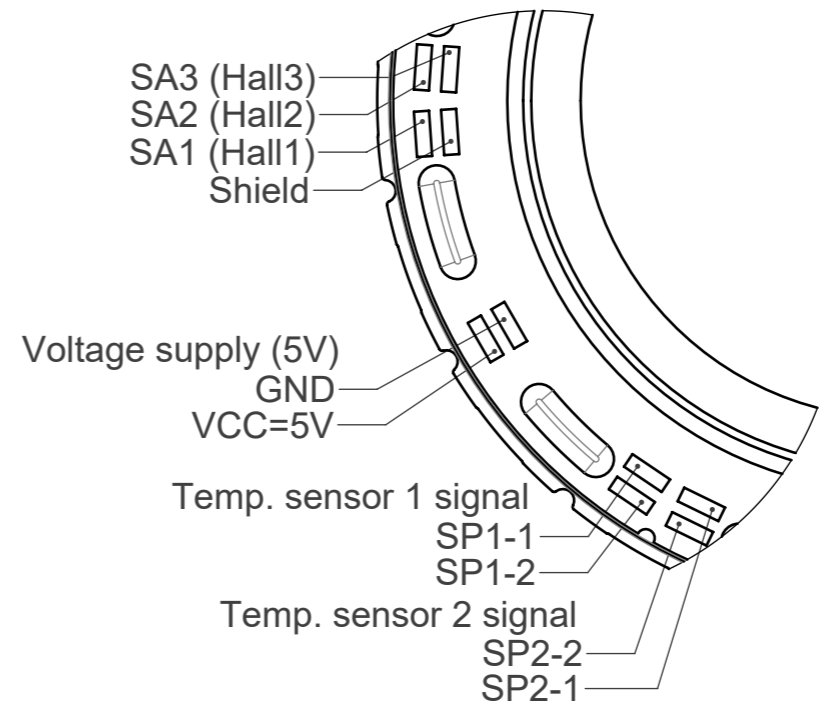
Section A-A

B-Side *
Optional mounting
direction**

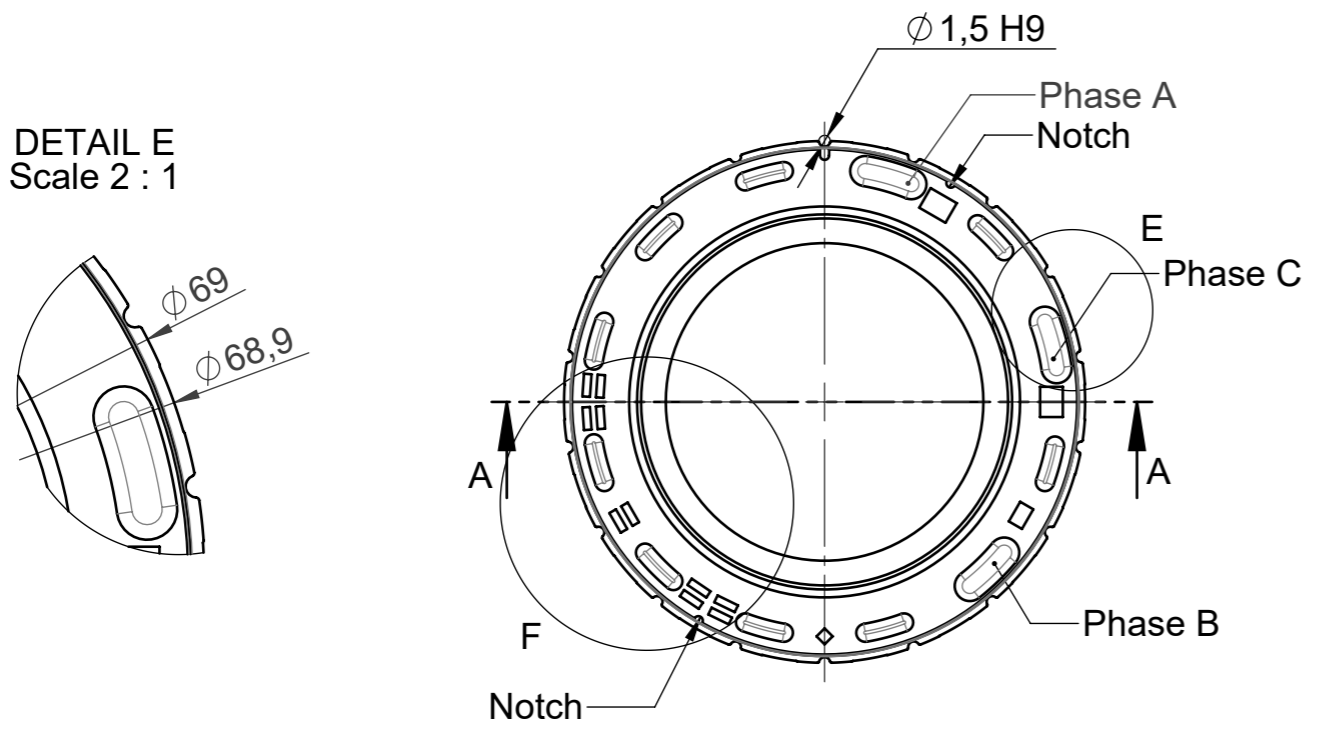
**A-Side
Preferred mounting
direction**



**DETAIL F
Section 2 : 1**



**DETAIL E
Scale 2 : 1**



- * In assembly
- ** Rotor position in relation to stator mounting edge
- *** B-Side mounting requires additional TQ design support
- **** Please assume a js8 fit for the calculation of the press fit

Housing and shaft design according to installation dimensions of motor housing and motor shaft.

Use aluminium housing for integration of the stator.

Compliance to EU-RoHS and EU-REACH, latest edition, must be warranted

ILM-E70x10 SERVO KIT PCB (Interconnection Type)

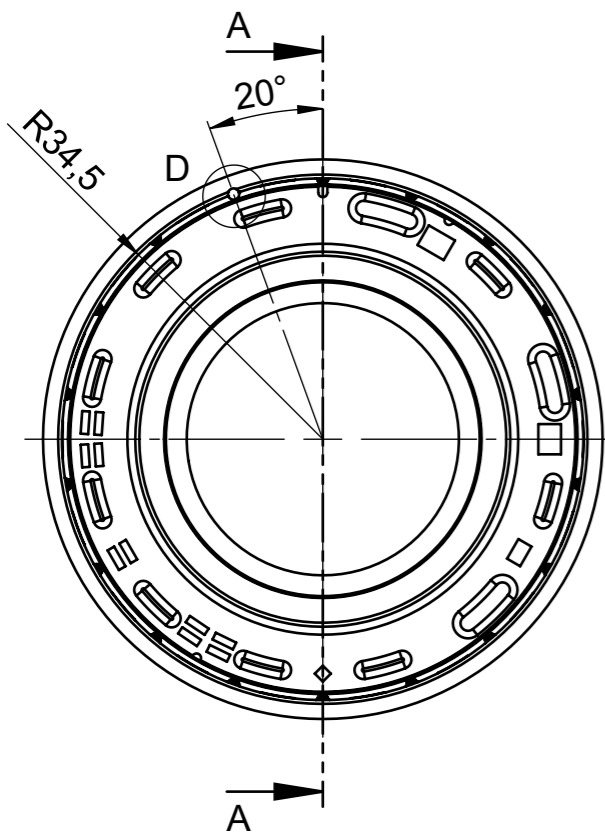
Identification	Position 1			Position 2		
	Order number	Order name	Amount	Order number	Order name	Amount
ILM-E70x10 SERVO KIT STD VSS	332524.0100	ILM-E70x10 Rotor	1	332790.0100	ILM-E70x10 Stator VSS HALL	1
ILM-E70x10 SERVO KIT STD VSP	332524.0100	ILM-E70x10 Rotor	1	332791.0100	ILM-E70x10 Stator VSP HALL	1
ILM-E70x10 SERVO KIT STD VDS	332524.0100	ILM-E70x10 Rotor	1	332799.0100	ILM-E70x10 Stator VDS HALL	1

Note: Please refer to 3D CAD model for missing dimensions and specifications

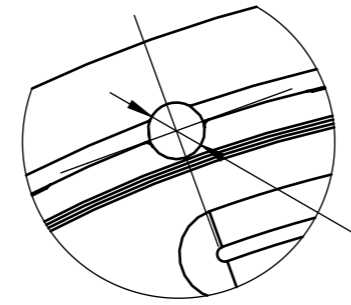
ECR Number	ECR Name MeindIA	ECR Description Blatt 2: Gehäusepassung von V7 auf U6 angepasst.	Engineering code E-00135037.01		
	Prepared	01.04.2020	Name	Pfeifer	
	Checked	03.11.2021	Name	StampfIM	
	Approved		Part name ILM-E70x10 SERVO KIT PCB INFO		
	Confidentially level			Number	Rev.
Mass	Volume	Scale	1:1	Format	A3
			329468.0100		
			1/2		

The reproduction, distribution and utilization of this document as well as the communication of its contents to others without express authorization is prohibited. Offenders will be held liable for the payment of damages. All rights reserved in the event of the grant of a patent, utility model or design.

The reproduction, distribution and utilization of this document as well as the communication of its contents to others without express authorization is prohibited. Offenders will be held liable for the payment of damages. All rights reserved in the event of the grant of a patent, utility model or design.



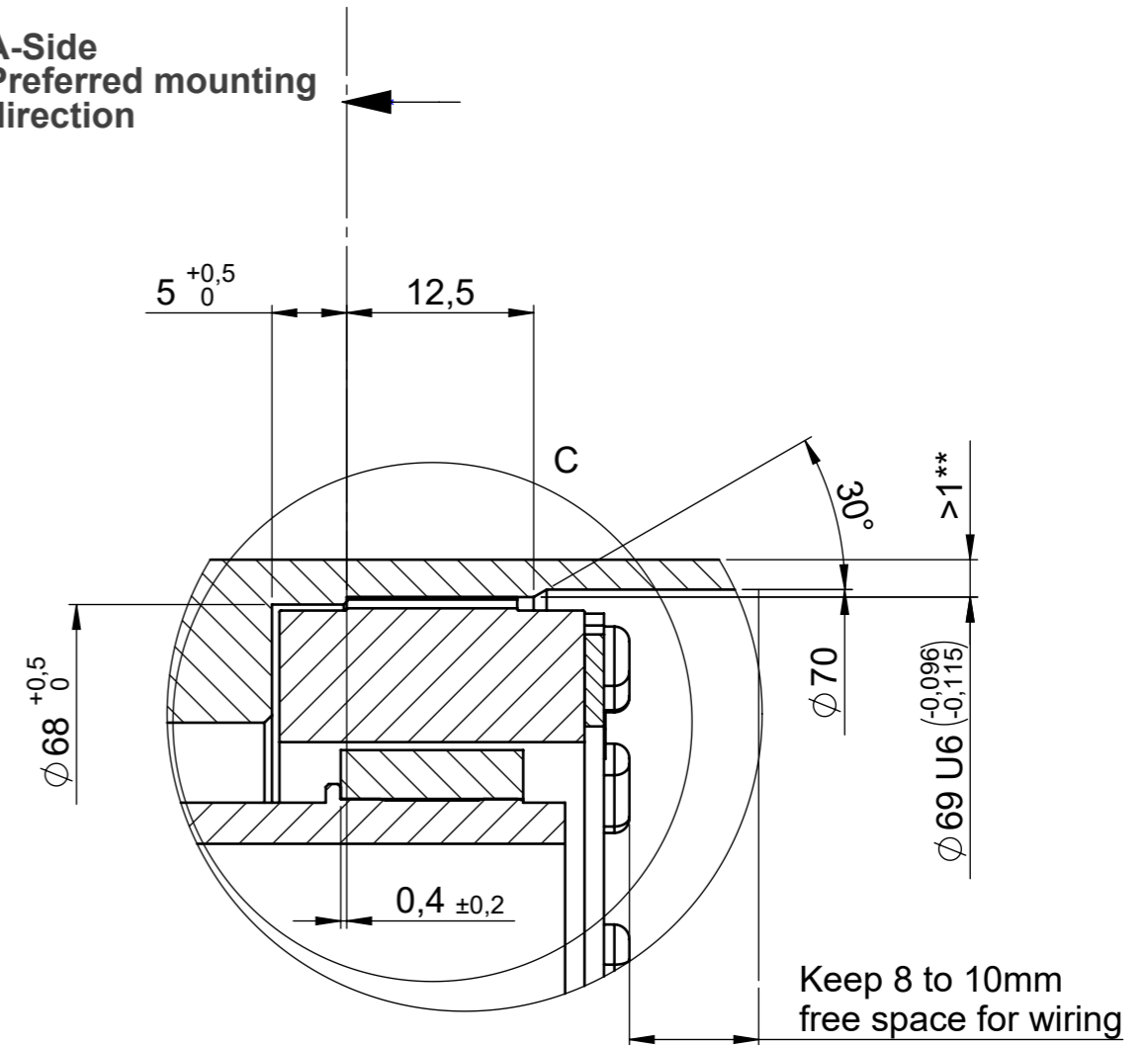
DETAIL D
Scale 5 : 1



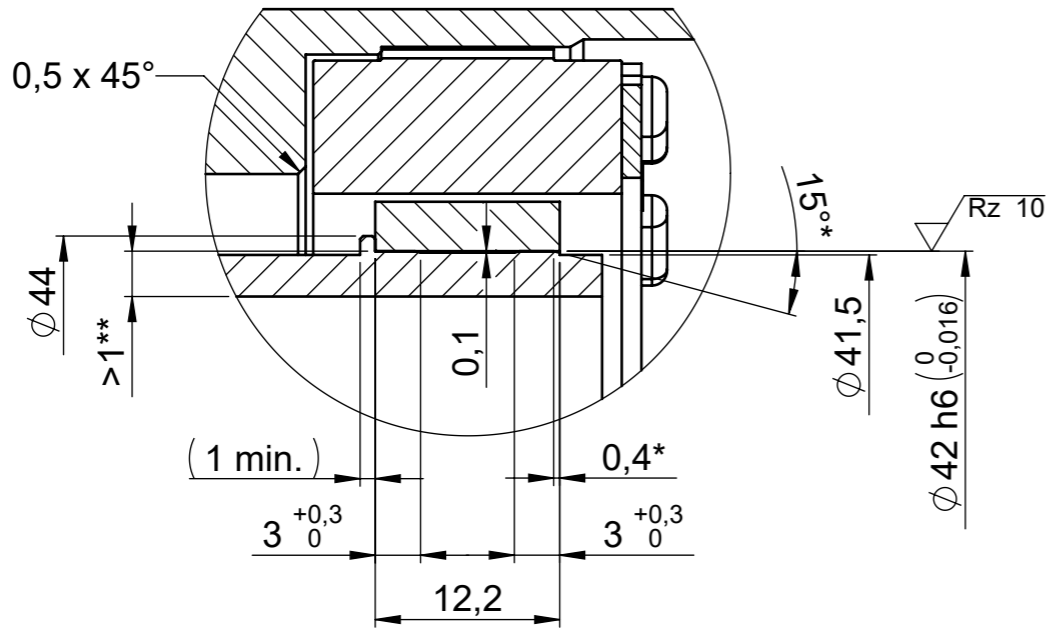
$\phi 1,5 \text{ H9 } \left(\begin{smallmatrix} +0,025 \\ 0 \end{smallmatrix} \right)$
 $\phi 0,1$
 Hole for positioning and fixation of the stator

DETAIL B
Scale 2 : 1

A-Side
Preferred mounting direction



DETAIL C
Scale 2 : 1



* Recommended silp bevel
 ** Recommended wall thickness >1mm



DIN ISO 13715 $\left(\begin{smallmatrix} -0,3 \\ -0,1 \end{smallmatrix} \right)$ $\left(\begin{smallmatrix} +0,3 \\ +0,1 \end{smallmatrix} \right)$

Compliance to EU-RoHS and EU-REACH, latest edition, must be warranted

ECR Number		ECR Name MeindIA		ECR Description Blatt 2: Gehäusepassung von V7 auf U6 angepasst.		Engineering code E-00135037.01	
	Prepared	01.04.2020	Name	Pfeifer			
	Checked	03.11.2021	Name	StampfIM			
	Approved						
ISO 8015 DIN ISO 2768 f H		Confidentially level		Part name ILM-E70x10 Einbau Stator PCB - Rotor			
Mass	Volume	Scale	1:1	Format	A3	Number	329468.0100
						Rev.	Ind. Sheet
							2/2