

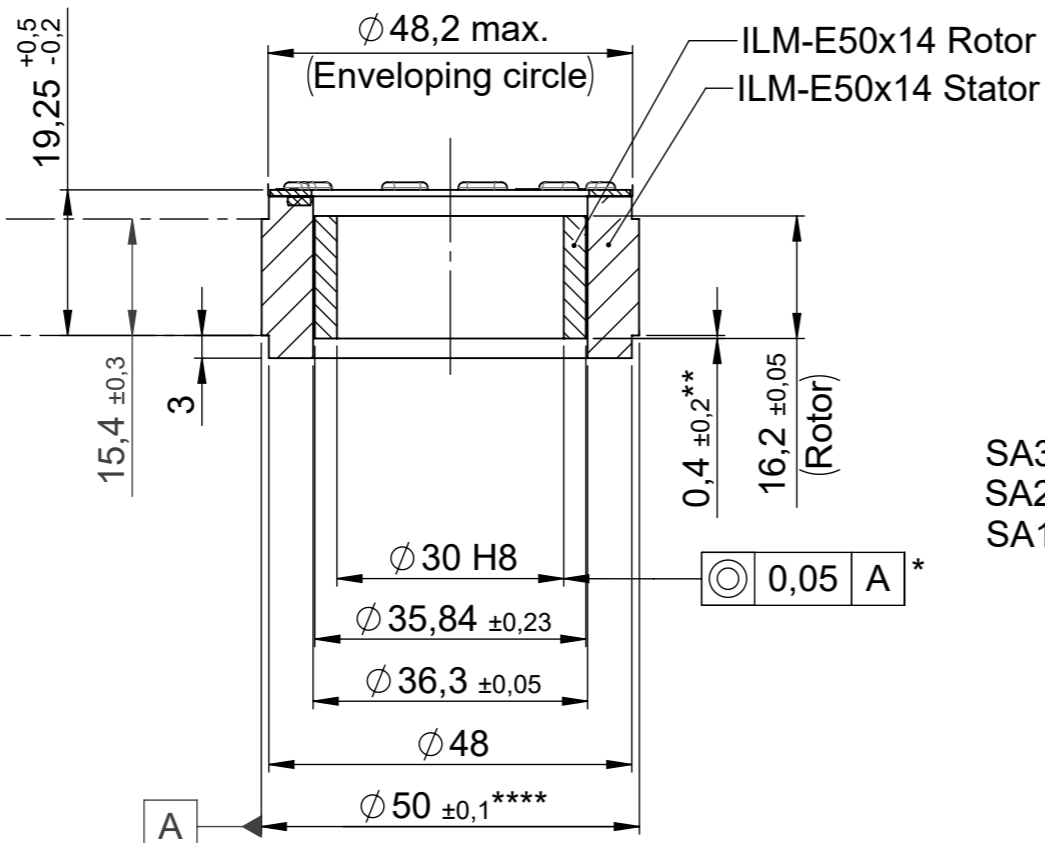
The reproduction, distribution and utilization of this document as well as the communication of its contents to others without express authorization is prohibited. Offenders will be held liable for the payment of damages. All rights reserved in the event of the grant of a patent, utility model or design.

ILM-E50x14 SERVO KIT PCB

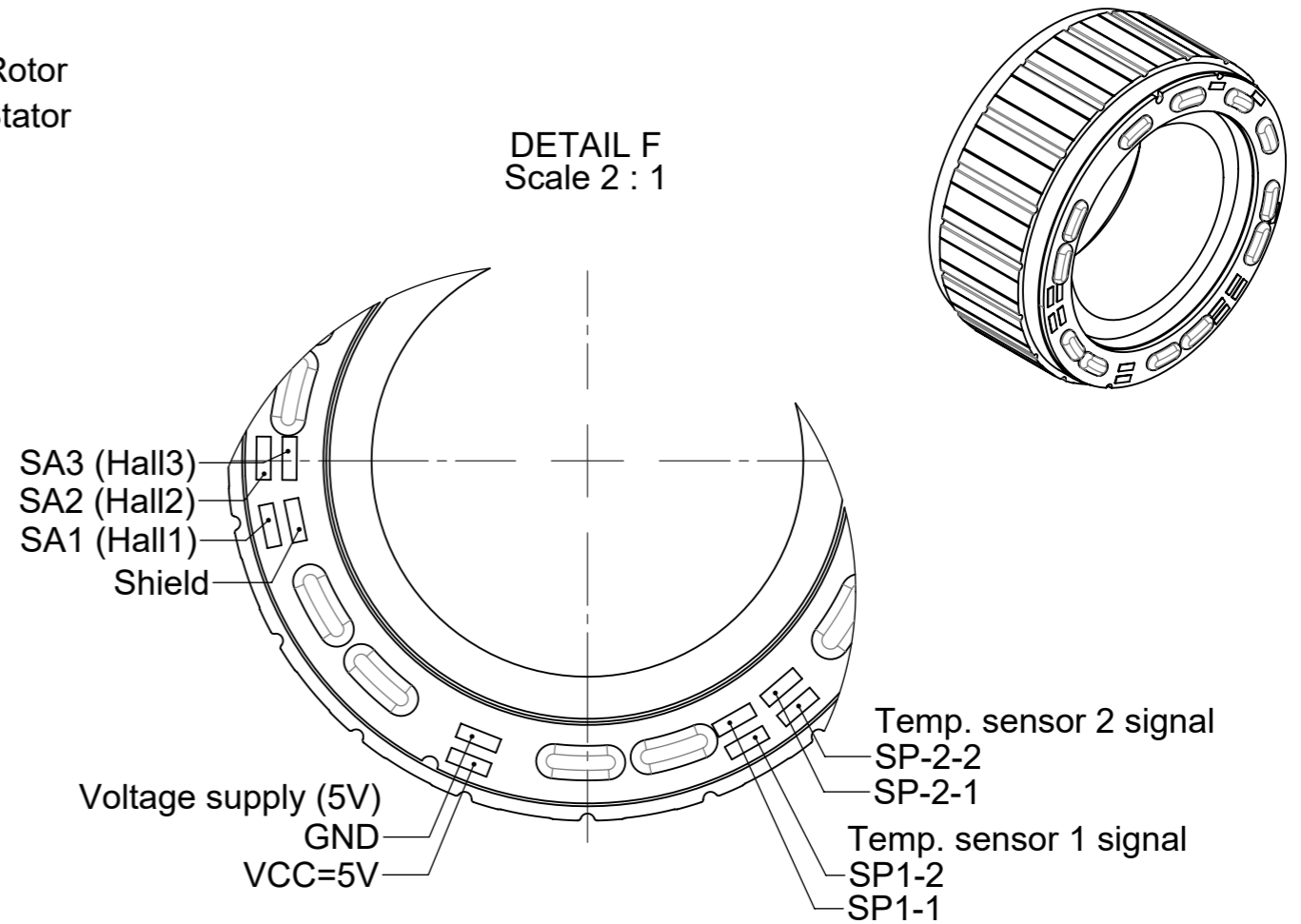
Section A-A

B-Side ***
Optional mounting
direction

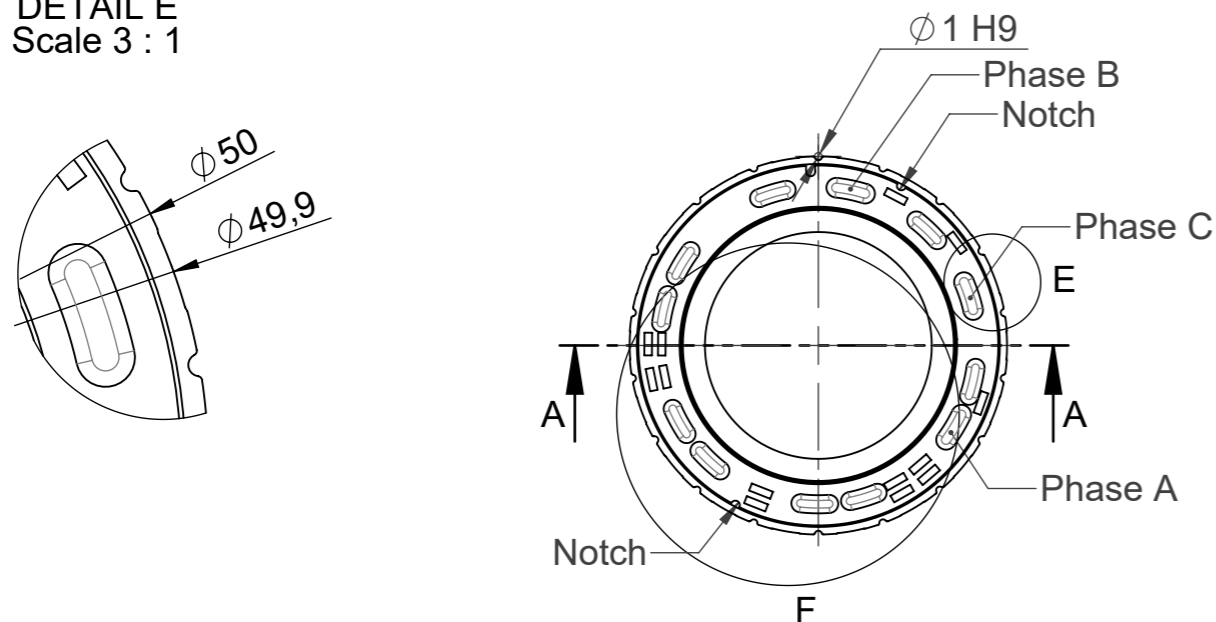
A-Side
Preferred mounting
direction



DETAIL F
Scale 2 : 1



DETAIL E
Scale 3 : 1



- * In assembly
- ** Rotor position in relation to stator mounting edge
- *** B-Side mounting requires additional TQ design support
- **** Please assume a js8 fit for the calculation of the press fit

Housing and shaft design according to installation dimensions of motor housing and motor shaft.


Use aluminium housing for integration of the stator.

Compliance to EU-RoHS and EU-REACH, latest edition, must be warranted

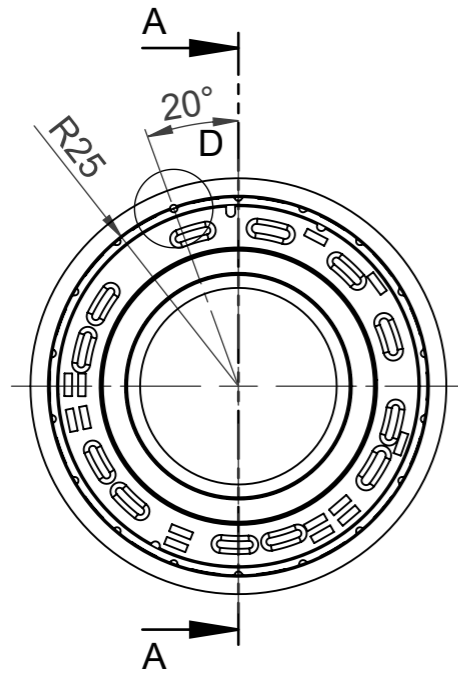
ILM-E50x14 SERVO KIT PCB (Interconnection Type)

Identification	Position 1			Position 2		
	Order number	Order name	Amount	Order number	Order name	Amount
ILM-E50x14 SERVO KIT STD VSS	332517.0100	ILM-E50x14 Rotor	1	332786.0100	ILM-E50x14 Stator VSS HALL	1
ILM-E50x14 SERVO KIT STD VSP	332517.0100	ILM-E50x14 Rotor	1	332787.0100	ILM-E50x14 Stator VSP HALL	1
ILM-E50x14 SERVO KIT STD VDS	332517.0100	ILM-E50x14 Rotor	1	332789.0100	ILM-E50x14 Stator VDS HALL	1

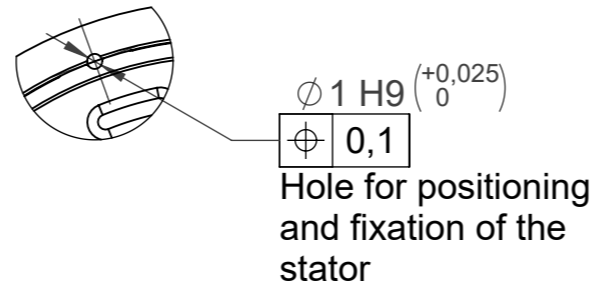
Note: Please refer to 3D CAD model for missing dimensions and specifications

ECR Number	ECR Name MeindIA	ECR Description Blatt 2: Gehäusepassung von V7 auf U6 angepasst.	Engineering code E-00137544.01
 ISO 8015 DIN ISO 2768 f H units in mm	Prepared	08.07.2020	Name MeindIA
	Checked	03.11.2021	Name StampfIM
	Approved		
Mass	Volume	Scale 1:1	Format A3
Part name ILM-E50x14 SERVO KIT PCB INFO		Number 329469.0100	Rev. Ind. Sheet 1/2

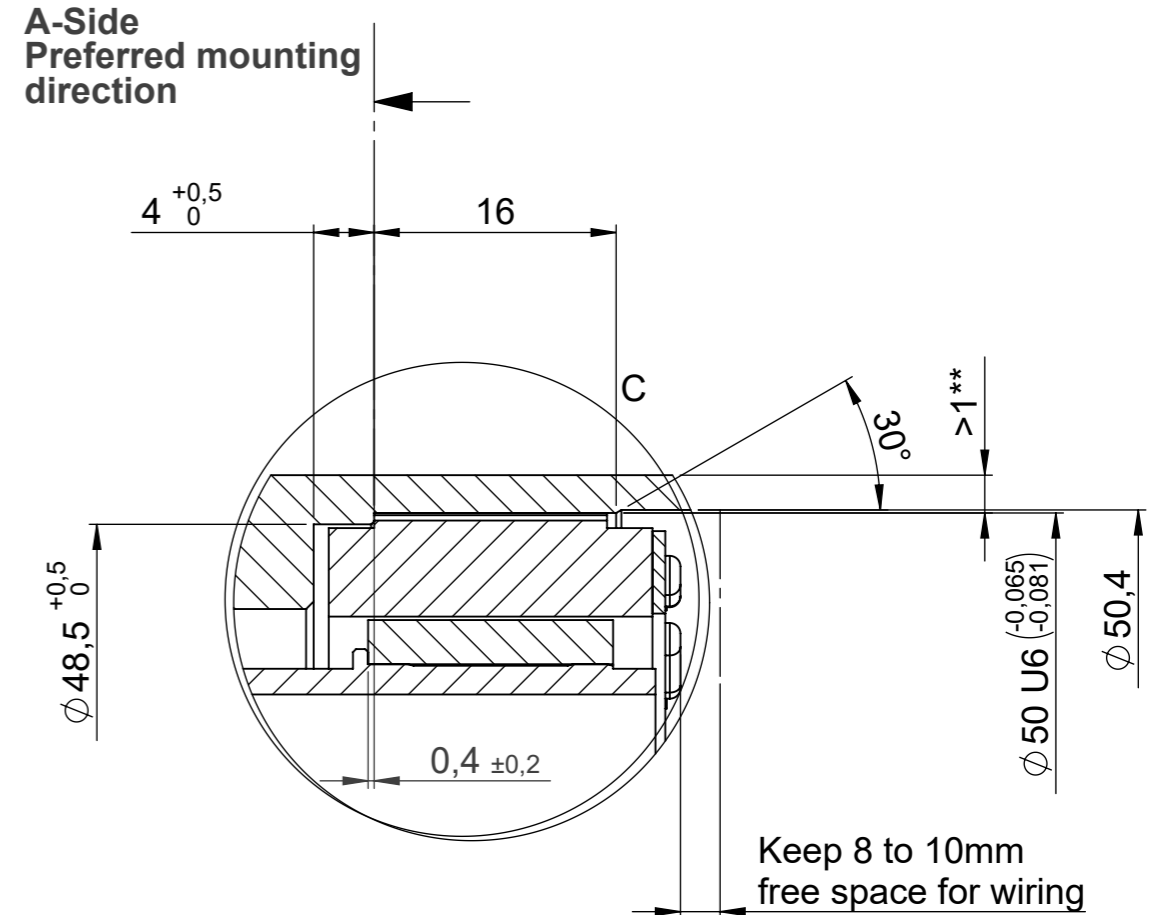
The reproduction, distribution and utilization of this document as well as the communication of its contents to others without express authorization is prohibited. Offenders will be held liable for the payment of damages. All rights reserved in the event of a patent, utility model or design.



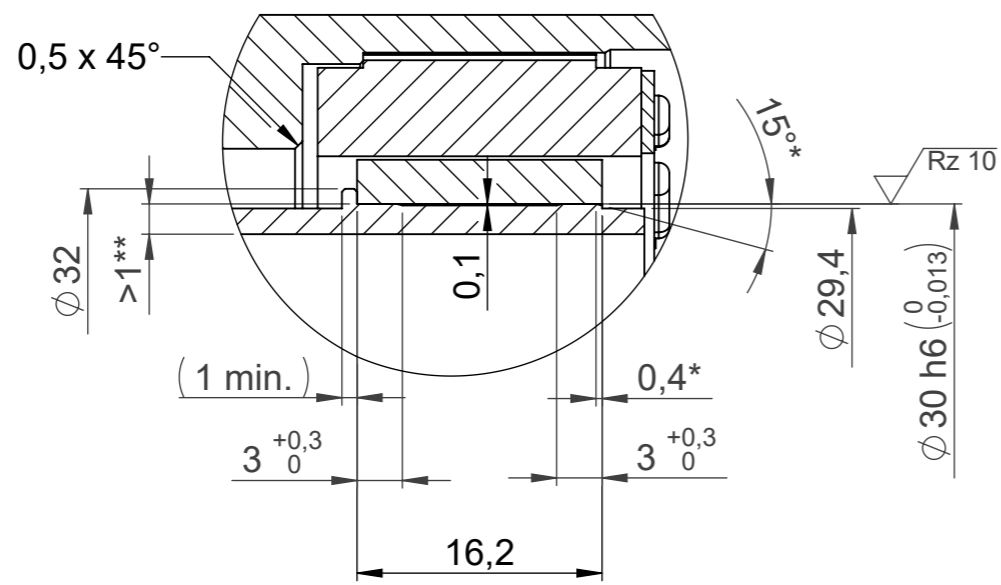
DETAIL D
Scale 2 : 1



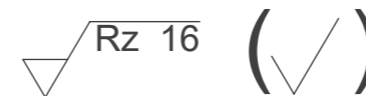
DETAIL B
Section A-A
Scale 2 : 1



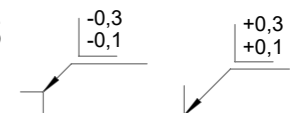
DETAIL C
Scale 2 : 1



- * Recommended silp bevel
- ** Recommended wall thickness >1mm



DIN ISO 13715



Compliance to EU-RoHS and EU-REACH, latest edition, must be warranted

ECR Number		ECR Name MeindIA		ECR Description Blatt 2: Gehäusepassung von V7 auf U6 angepasst.		Engineering code E-00137544.01	
	Prepared	08.07.2020	Name	Material			
	Checked	03.11.2021	StampfIM	Part name ILM-50x14 Einbau Stator PCB - Rotor			
	Approved			Number 329469.0100			
ISO 8015 DIN ISO 2768 f H		Confidentially level		Scale 1:1		Rev. Ind. Sheet 2/2	
Mass	Volume	Format A3		Number 329469.0100			