

MBox-V

x86 Family



Ultra compact BoxPC platform for embedded PC applications and IoT edge gateways.

HIGHLIGHTS

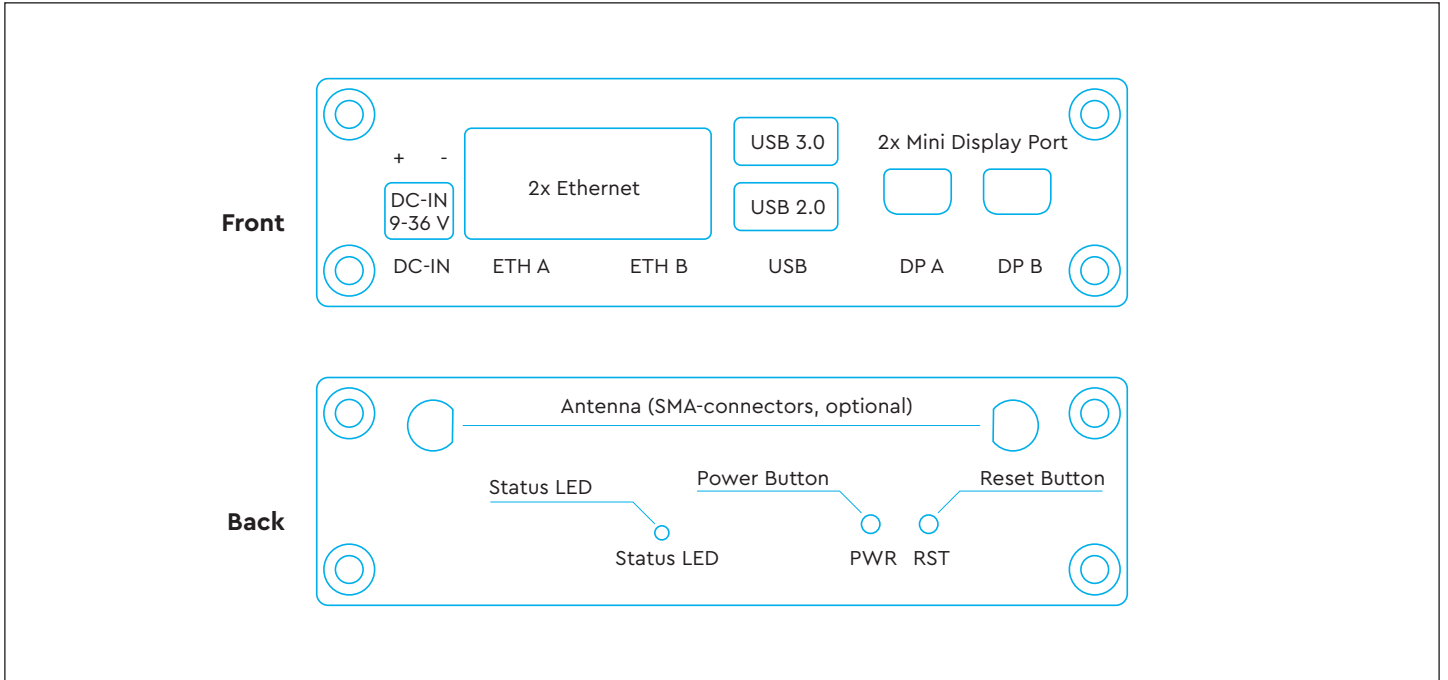
- ▶ Intel Atom® E3800 series (Bay Trail-I)
- ▶ Up to 8 GB DDR3L with ECC
- ▶ Optimized for ultra low power
- ▶ High-Speed IO such as 2x Gb ETH, 2x USB (3.0/2.0)
- ▶ 2x Mini DisplayPort to connect two monitors
- ▶ TPM 1.2/2.0 (option)
- ▶ Watchdog and thermal management
- ▶ Highest reliability, 24/7 certified
- ▶ Extended temperature support (option)
- ▶ Highly customizable sheet metal chassis
- ▶ Individual configurations and ODM branding

TECHNICAL SPECIFICATION

| | |
|--|---|
| CPU | Intel Atom® E3800 series („Bay Trail-I“) E3845: 4x 1.91 GHz, 2 MB L2-Cache, 10 W E3827: 2x 1.75 GHz, 1 MB L2-Cache, 8 W E3826: 2x 1.46 GHz, 1 MB L2-Cache, 7 W E3825: 2x 1.33 GHz, 1 MB L2-Cache, 6 W E3815: 1x 1.46 GHz, 512 KB L2-Cache, 5 W |
| Memory | 2 GB, 4 GB, 8 GB DDR3L with ECC |
| Graphics interfaces | 2x Mini DisplayPort (DP++) (DP 1.1a, max. resolution 2560×1600) |
| Interfaces | 2x Gbit Ethernet (Intel® i210) 1x USB 3.0 (with USB 2.0 backward compatibility) 1x USB 2.0 |
| Wireless and fieldbus communication (options) | Others on request |
| Internal extension sockets | 1x Mini PCIe full-size (PCIe & USB), with micro SIM socket 1x Mini PCIe half-size (PCIe & USB) |
| Internal mass storage | 1x mSATA full-size (16 – 512 GB, others on request) 1x Micro SD card socket |
| Security components | TPM 1.2/2.0 (option) |

| | |
|--------------------------------|--|
| Power supply | Voltage: 9 V – 36 V Connector type: Phoenix MC1,5/2-G-3,5 Power: typ. 3 – 10 W/max. 15 W Battery: CR2032 (replaceable) |
| Environment | Passive cooled (no fan) Standard temperature: 0°C...+50/60°C Extended temperature: -40°C...+70°C (option) |
| Form factor/ dimensions | Integrated hardware kit: 100 × 100 × 23 mm Chassis: 103 × 110 × 40 mm |
| Operating Systems | Windows 7, Windows 10 (Standard and Embedded/IoT) Linux (e.g. Ubuntu) Others on request Custom specific software images can be pre-installed. |

IO CONNECTORS MBOX-V



ORDERING INFORMATION

| | |
|------------------------------------|---|
| MBox-V-E3825-AA | Intel Atom® E3825 (Dual Core, 1,33 GHz, 1 MB L2-Cache, HD Gfx 533 MHz, 6 W), 2 GB DDR3L-1066 ECC, 16 GB (MLC) mSATA SSD, no TPM, no OS, 0°C...+60°C |
| Power Supply AC/DC (302195) | 30W AC/DC wall-mount switching adapter with interchangeable AC plugs (EU, US, AUS, UK). VI=90...264V, VO=18V, 1,67A, -20...40/60°C, 30W, 1,7m cable with ferrit core/open-ended |
| DC Power Connector | 2-pin power connector for easy installation (Phoenix FMC1,5/2-ST-3,5), (already included in MBox-ADV delivery content) |
| DIN rail mounting bracket | Can be mounted on bottom side of the chassis. |

TQ-Systems GmbH

Mühlstraße 2 | Gut Delling | 82229 Seefeld | Germany
Tel.: +49 8153 9308-0 | info@tq-group.com | tq-group.com

tq-embedded.com