

# MBox-Advanced

## x86 Family



**Industrial Firewall and BoxPC platform based on Intel Atom® E3900 processor series.**

### HIGHLIGHTS

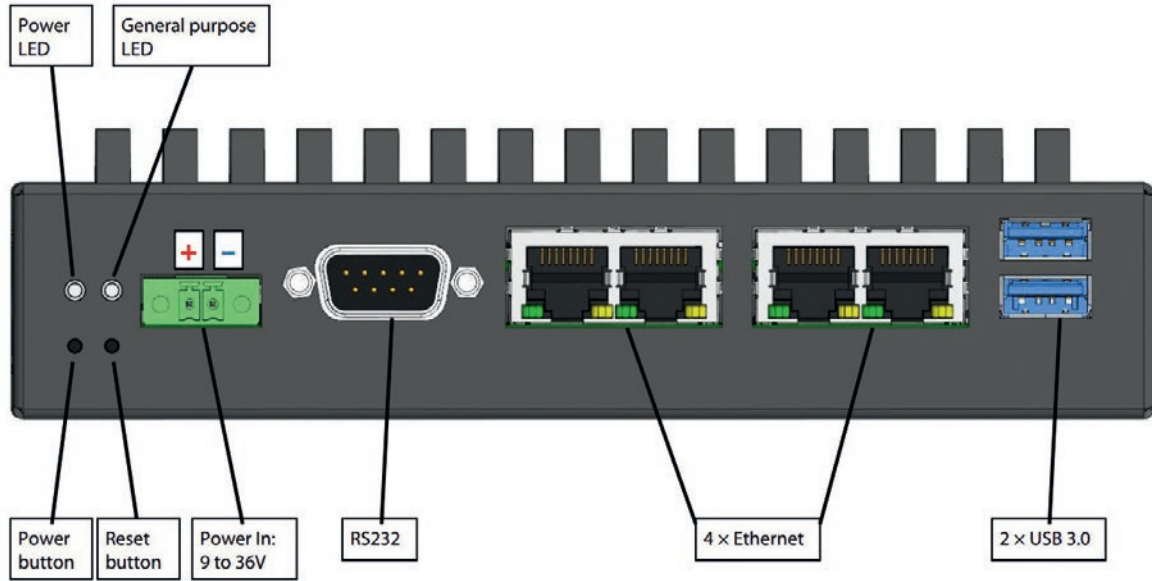
- ▶ Intel Atom® E3900 series (Apollo Lake-I) in Dual- or Quad-Core configuration
- ▶ Up to 8 GB DDR3L
- ▶ 4x Gbit Ethernet (Intel® i210)
- ▶ 2x USB 3.0, 1x RS-232
- ▶ AES-NI-Support, TPM 1.2/2.0 (option)
- ▶ Extended temperature support (option)
- ▶ Ultra compact design
- ▶ Quality Made-in-Germany
- ▶ Individual configurations and ODM branding

### TECHNICAL SPECIFICATION

<b>CPU</b>	Intel Atom® E3900 series („Apollo Lake-I“) E3950: 4x 1.6/2.0 GHz, 2 MB L2-Cache E3940: 4x 1.6/1.8 GHz, 2 MB L2-Cache E3930: 2x 1.3/1.8 GHz, 2 MB L2-Cache
<b>Memory</b>	2 GB, 4 GB or 8 GB DDR3L
<b>Graphics interfaces</b>	DisplayPort (DP++) with 4K UHD (on back side)
<b>Interfaces</b>	4x Gbit Ethernet (Intel® i210), (directly connected to CPU, not switched) 2x USB 3.0 (with USB 2.0 backward compatibility) 1x RS-232 for Console 1x USB 2.0 (on back side)
<b>Internal extension sockets</b>	1x M.2 2242/2280 (key B+M) socket (SATA+USB) (shared with M.2 mass storage socket)
<b>Internal mass storage (options)</b>	1x M.2 2242/2280 (key B+M) socket (SATA+USB) (8 GB up to 512 GB MLC, SLC/SuperMLC on request) 1x eMMC (up to 128 GB MLC)
<b>Security components</b>	TPM 1.2/2.0 (option)
<b>Power supply</b>	Voltage: 9 V – 36 V Connector type (lockable): Phoenix MC1,5/2-G-3,5-LR Power: typ. 3–10 W/max. 15 W Battery: CR2032 (replaceable)

<b>Environment</b>	Passive cooled (no fan) Standard temperature: 0°C...+60°C Extended temperature: -40°C...+70°C (option) Relative Humidity: 10% to 90% (not condensing) IP20
<b>Form factor/ dimensionsw</b>	170 mm x 103 mm x 42 mm
<b>Mounting options</b>	Desktop, VESA75, DIN rail (with adapter kit)
<b>Operating systems on request</b>	Windows 10 (Standard and Embedded/IoT) Linux (e.g. Ubuntu) Others on request Custom specific software images can be pre-installed.

## IO CONNECTORS MBOX-ADVANCED



## ORDERING INFORMATION

<b>MBox-ADV-AA</b>	Intel Atom® x7-E3950 (4x 1.6/2.0 GHz, 2 MB L2-Cache), 4 GB DDR3L, 32 GB eMMC (MLC), M.2 blank, no TPM, no OS, -20°C...+60°C
<b>Power Supply AC/DC (302195)</b>	30W AC/DC wall-mount switching adapter with interchangeable AC plugs (EU, US, AUS, UK). VI = 90...264V, VO=18V, 1,67A, -20...40/60°C, 30W, 1.7m cable with ferrit core/open-ended
<b>DC Power Connector</b>	2-pin power connector for easy installation (Phoenix FMC1,5/2-ST-3,5), (already included in MBox-ADV delivery content)
<b>DIN rail mounting bracket (adapter kit)</b>	Can be mounted on bottom side of the chassis.
<b>Adapter for wall mount, rack mount etc.</b>	On request

### TQ-Systems GmbH

Mühlstraße 2 | Gut Delling | 82229 Seefeld | Germany  
 Tel.: +49 8153 9308-0 | info@tq-group.com | tq-group.com

[tq-embedded.com](http://tq-embedded.com)